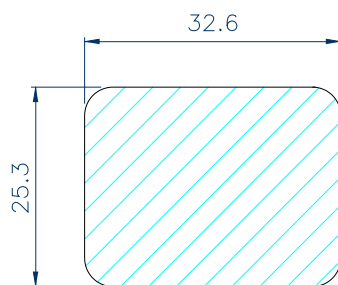
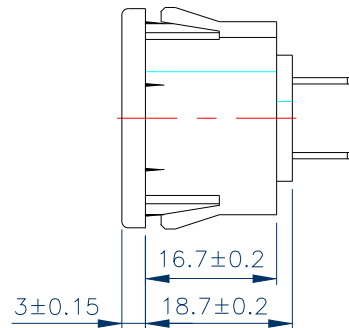
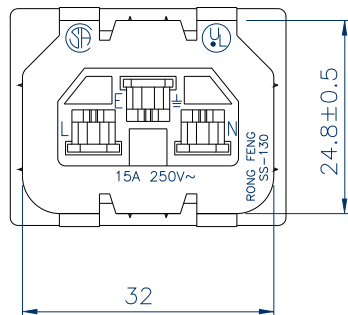
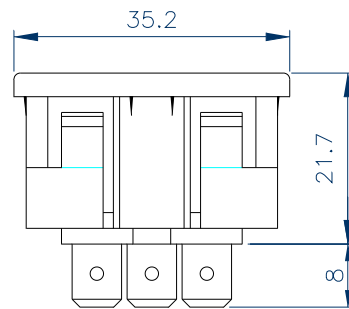
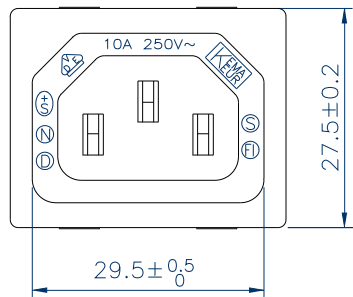


AC SOCKET



Standard: IEC 60320-2-2 Sheet F(C13)
 Rating: 15A250V AC
 Approvals: UL/CSA
 Rating: 10A250V
 Approvals: VDE/CCC/KTL



TERMINAL MODEL

