

# YB SERIES (IEC Inlet Filters)



## Features

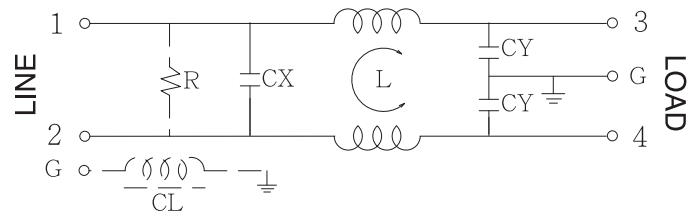
- The YB series filter integrates an IEC inlet and filter with excellent noise suppression performance and compact size.
- The rated current can be offered up to 15 amps.
- Various output selections such as fast-on terminal, solder lug terminal, and lead wire.
- The choice of integrated earth line choke is also available.
- Low leakage current version upon requested.
- Approved by UL, CSA, VDE, CQC and CE
- Custom-specific versions are available on request
- Application for Electrical and electronic equipment, Single-phase power supplies, UPS, Medical equipment, Test and measurement equipment.

## Technical Specification

Rated voltage	125/250VAC
Rated currents	1 to 15A
Operating frequency	50/60Hz
Hipot rating(Line-to-line)	1450VDC
Hipot rating(Line-to-ground)	2250VDC
Temperature rise	40°C MAX
Operating temperature	-25~+85°C
Safety compliance	1 to 10A (VDE,CQC) ; 1 to 15A (UL,CSA)

\*CSA except YB08T and YB15T

## Typical electrical schematic



\*With optional ground choke and resistor.  
R: 1M ohm  
CL: 100  $\mu$ H

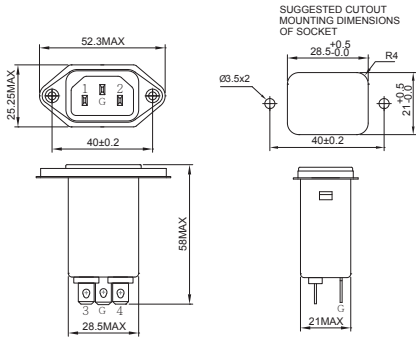
## Filter Selection Table

Part No.	Rated Current A	Inductance L(mH)	Capacitance CX( $\mu$ F)	Capacitance CY(pF)	Output connections
YB01A1/T1	1	3.7	0.1	3300	Fast-on terminal (optional lead-wire)
YB03A1/T1	3	1.8	0.1	3300	
YB06A1/T1	6	0.7	0.1	3300	
YB08A1/T1	8	1.8	0.1	3300	
YB10A1/T1	10	0.3	0.1	3300	
YB15A1/T1	15	0.3	0.1	3300	
YB01A3/T3	1	3.7	0.1	3300	Solder lug terminal
YB03A3/T3	3	1.8	0.1	3300	
YB06A3/T3	6	0.7	0.1	3300	
YB08A3/T3	8	1.8	0.1	3300	
YB10A3/T3	10	0.3	0.1	3300	
YB15A3/T3	15	0.3	0.1	3300	

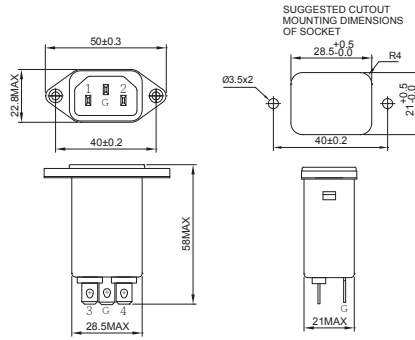
\*Please contact us for other parts or spec.

# Physical Dimensions: (mm)

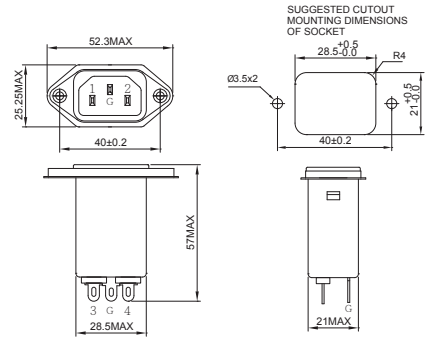
YB-A1



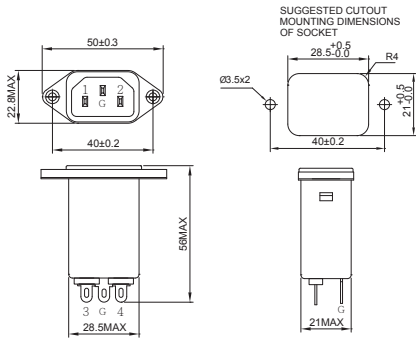
YB-A1-A



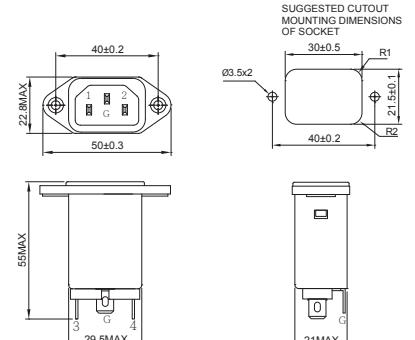
YB-A3



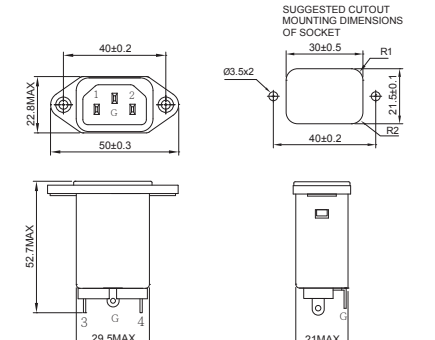
YB-A3-A



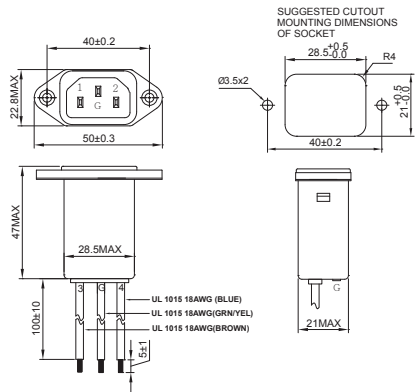
YB-T1



YB-T3



YB-A (lead-wire)



## Typical filter attenuation (Common mode — Normal mode —)

