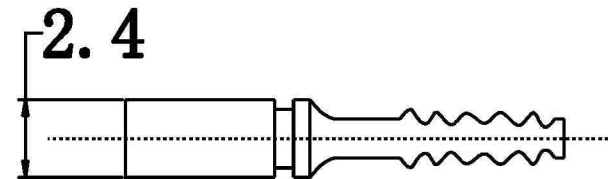
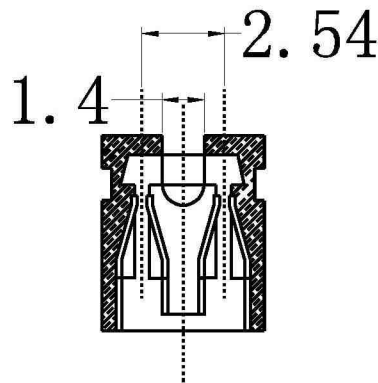
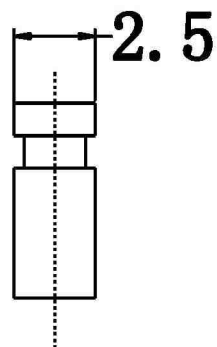
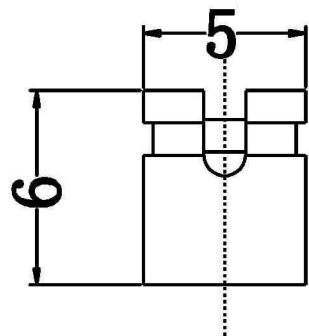


CLOSE TYPE



LONG TYPE

OPEN TYPE



SPECIFICATIONS

- Current Rating: 3Amps
- Insulation Resistance: 1000MΩ min
- Withstanding Voltage: 1000VAC
- Contact Resistance: 20mΩ max
- Operating Temperature: -40° C to +105° C
- Standard: PBT
- Contact Material: Brass
- Contact Plating: Au or Sn Over Ni
- Max. Processing Temp: 180°C for 30-60 second
(200°C for 10 second)

Code Description

MJ-254-S-0-BK

- (1) Product Name: MJ=Mini Jumper
- (2) Pin Spacing: 254=2.54mm; 200=2.0mm
- (3) Specification: S=Short, L=Long
- (4) Model: C=Close, O=Open
- (5) Colour: BK=Black, BL=Blue, W=White, G=Gray, Y=Yellow, R=Red

UNLESS OTHERWISE SPECIFIED TOLERANCE

X	: ±0.3	X°	: ±5°
X.X	: ±0.2	X.X°	: ±1°
X.XX	: ±0.2	X.XX°	: ±0.5°

DRAWN NAME: MJ-254-S-0-BK

SIZE	A4	SCALE	N:1	PROUCT	
REV	A	UNIT		PROJECT	⊕ ⊖ PAGE 1/1

CHECKED	LJU SHENG HUI	DATE	05/28	CHECKED		DATE	/
---------	---------------	------	-------	---------	--	------	---