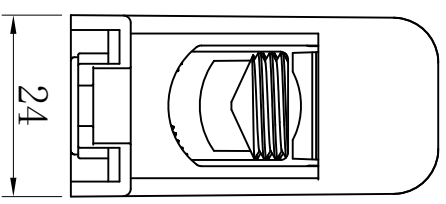
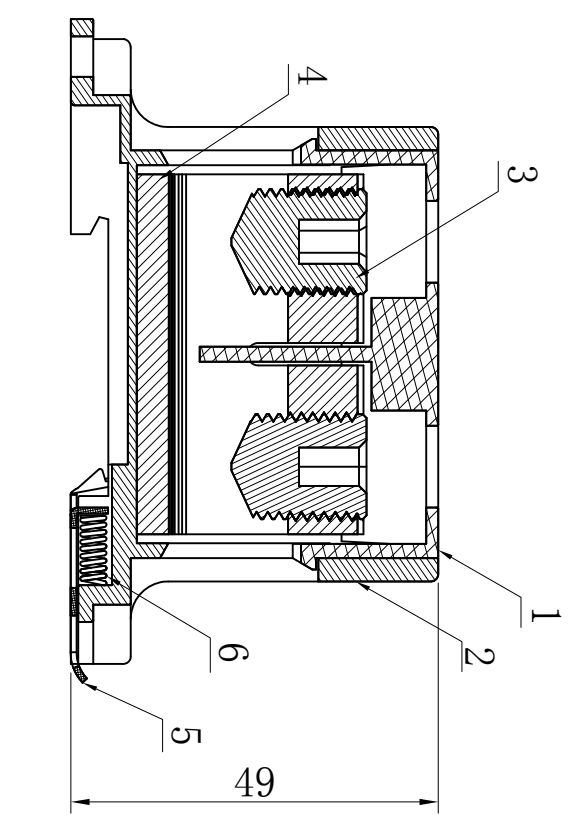
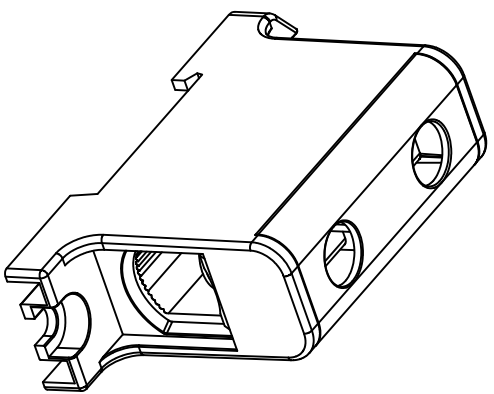
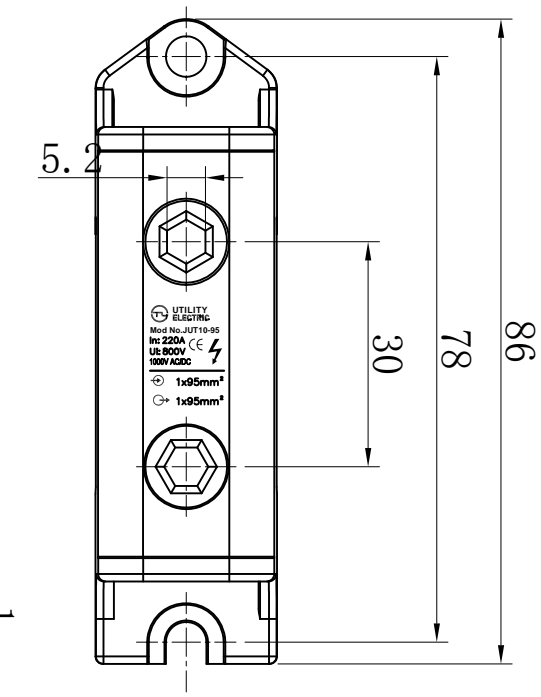


REV.	ECN. NO.	REVISER. NO.	REVISER	APPD.
版次	ECN. 编号	处数	修订者	核准
R1	DRAWING			



Technical Data

Material:

- Body: PA66 UL94 V-0.
- Screw: Steel, Zinc Plated.
- Conductor: Aluminium alloy.

Electrical:

- Voltage rating/Current rating: IEC 800V/220 A;
- Contact resistance: 20 mΩMax.
- Insulation resistance: 1000V, 1000 MΩMin.
- Withstanding Voltage: AC 4000 V, 1 minute.

Mechanical:

- Torque: 5.6 N.m Max.
- Connection Capacity: 16-95mm².
- Stripping Length : 25mm.
- Operating temperature: -45° C to +105° C.



ZHEJIANG UTILITY ELECTRICAL CO., LTD
浙江尤提乐电气有限公司

TYPE No.	JUT10-95	TITLE	名称:	Customer Drawing
型号:		DWG. NO.:	图号:	C-DW1117-0
APPR.		SCALE	比例:	FULL
核准:		UNIT	单位:	mm
CHKD.		PAGE	页码:	1/1
审核:		REV.	版本:	R1
DR.	Jiamy, Jing			
设计:				