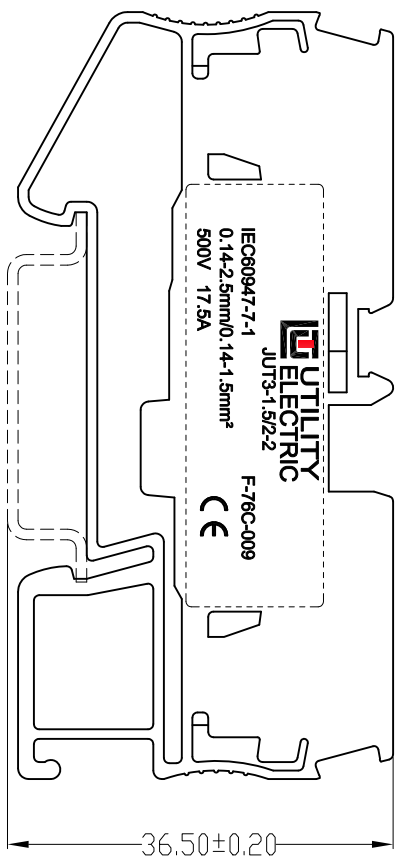
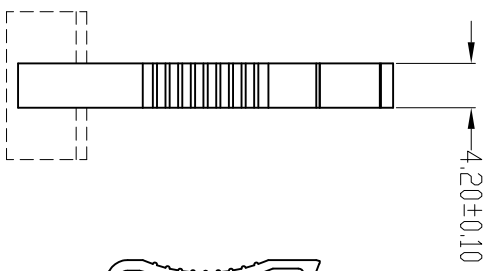
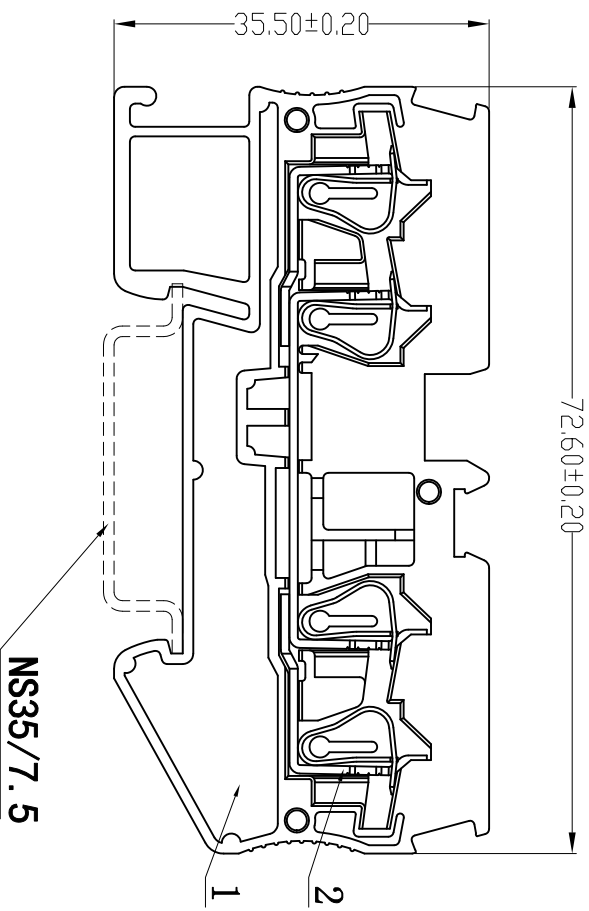


REV.	EQM.NO.	REVISE.NO.	REVISER	APPD.
版本	ECN: 编号	如数	修订者	核准
R1	DRAWING			



Technical Data

Material:

Body: PA66 UL94 V-0.

Conductor: Copper, Tin Plated.

Spring: SUS 301.

Electrical:

Voltage rating/Current rating: IEC 500V/17.5 A;
UL 600V/15 A

UL 600V/15 A

Contact resistance: 20 mΩ Max.

Insulation resistance: 500V, 500 MΩ Min.

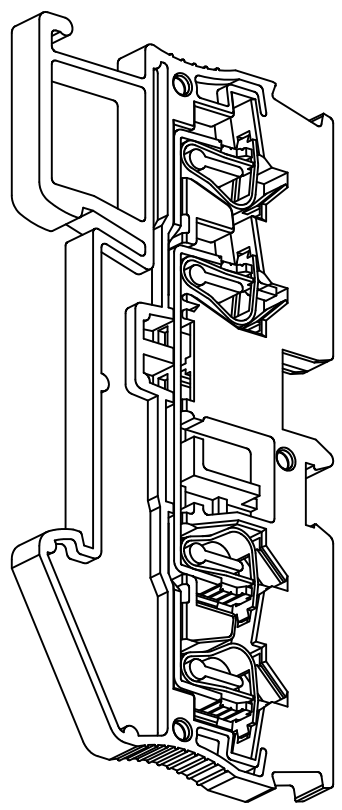
Withstanding Voltage: AC 2500 V, 1 minute.

Mechanical:

Connection Capacity: 24-16AWG.

Stripping Length: 10mm.

Operating temperature: -45° C to +105° C.



ZHEJIANG UTILITY ELECTRICAL CO., LTD
浙江尤提乐电气有限公司

TYPE NO.	TITLE	DWG. NO.	SCALE	PAGE
JUT3-1.5/2-2	名称: Customer Drawing	C-DW0262-0	FULL	1/1
型号:	图号:	比例:	页码:	版本:
APPD. 核准:	DR. 设计:	Jammy. ling	UNIT: mm[inch]	REV.: R1
CHKD. 审核:				
MATL 材质:				