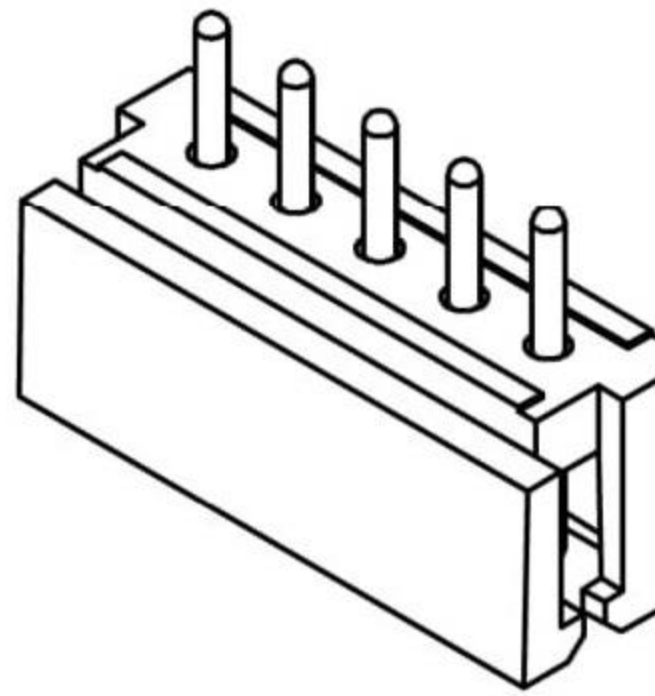


P. C. B LAYOUT

Poles		Dimensions mm	
		A	B
2	V02	2.50	7.5
3	V03	5.00	10.0
4	V04	7.50	12.5
5	V05	10.00	15.0
6	V06	12.50	17.5
7	V07	15.00	20.0
8	V08	17.50	22.5
9	V09	20.00	25.0
10	V10	22.50	27.5
11	V11	25.00	30.0
--		--	--
16	V16	37.50	42.5
2	VB02	2.50	7.50
3	VB03	5.00	10.00
--		--	--
16	VB16	37.50	42.50

Main Specifications

- (poles): 2 to 16P
- (Current rating): 3.0A AC, DC
- (Voltage rating): 250V AC, DC
- (Temperature range): -25°C to +85°C
- (Contact resistance): ≤20mΩ
- (Insulation resistance): ≥1000MΩ
- (Withstand voltage): 1000V AC/minute
- (Applicable wire): AWG #28 to #22
- (Applicable PC board thickness): 1.6mm



2		Wafer	Brass Tin	N	
1		Housing	PA66 (UL94V-0)	1	White
SNA2505-WV/BXX					
X.° ±3°		X.X° ±0.5°			
>0-3	>3-18	>18-50	>50-120	Design Units	SIZE
±0.12	±0.15	±0.3	±0.5	MM Only	METRIC A4
