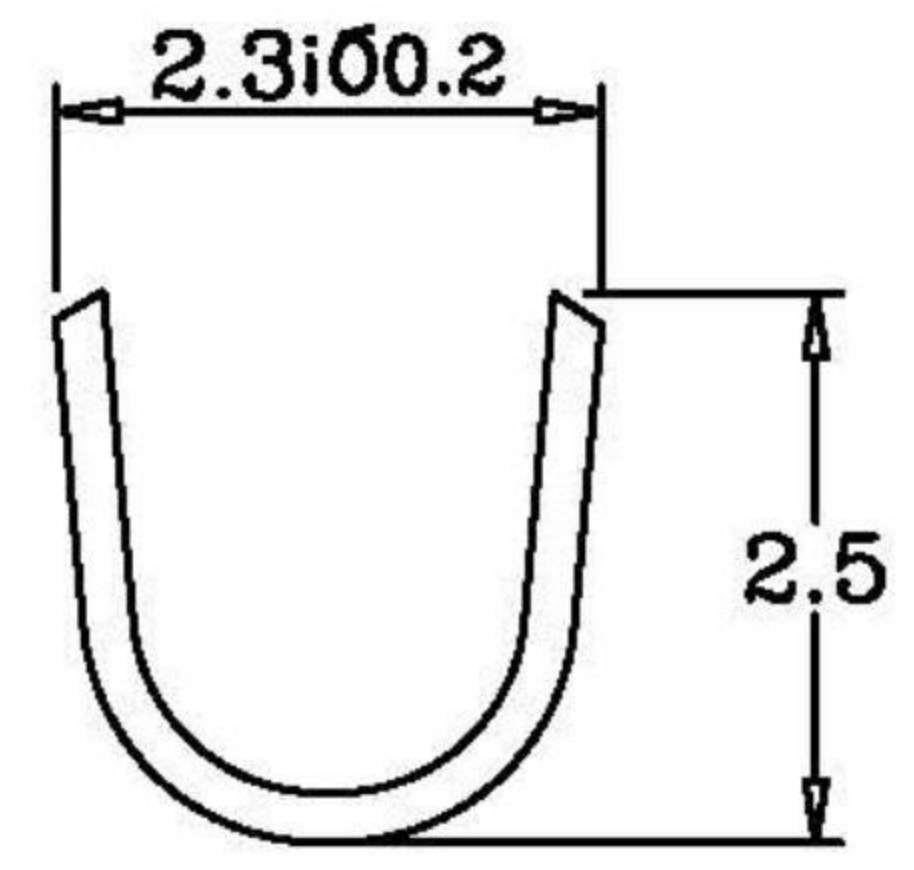
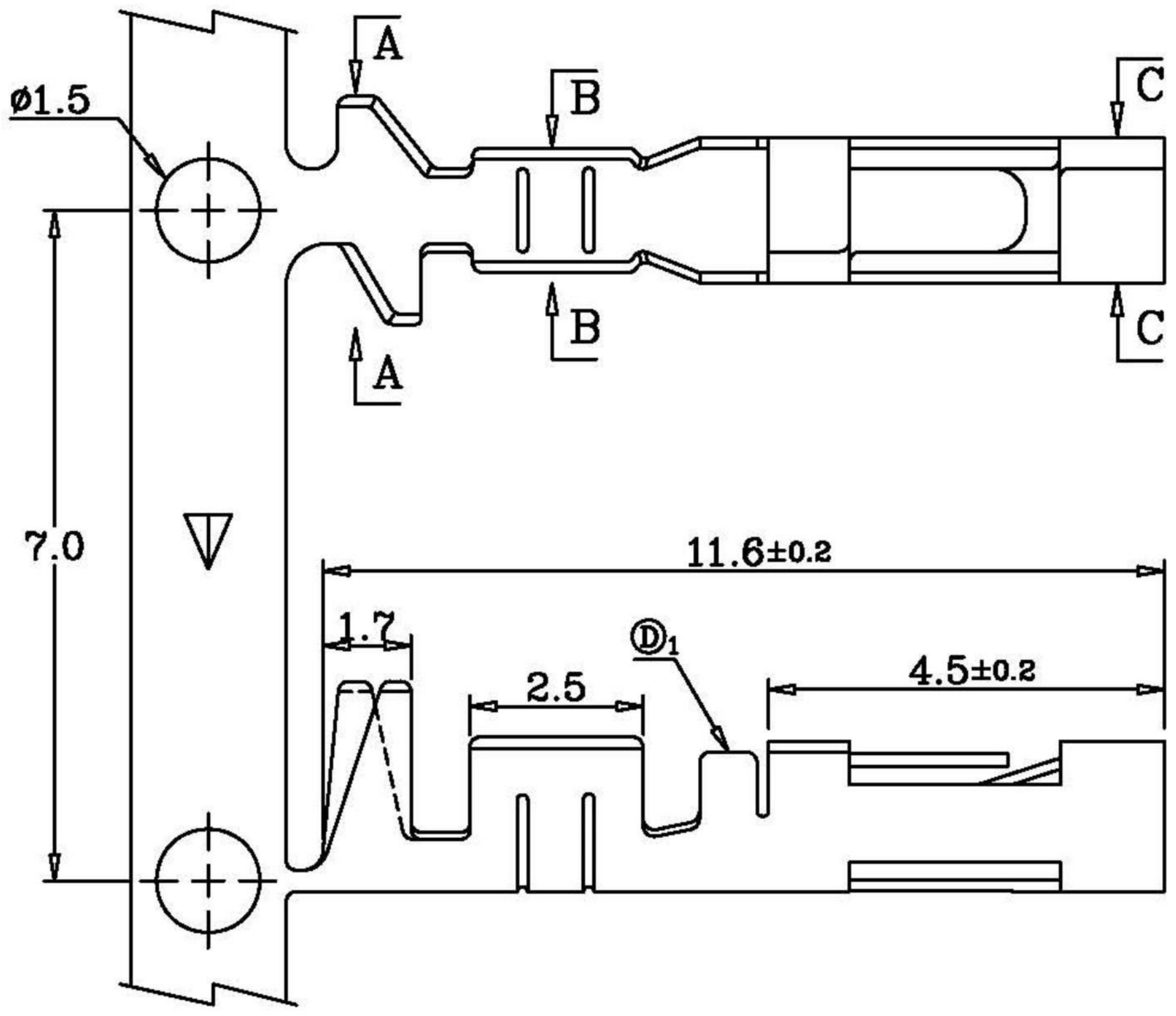
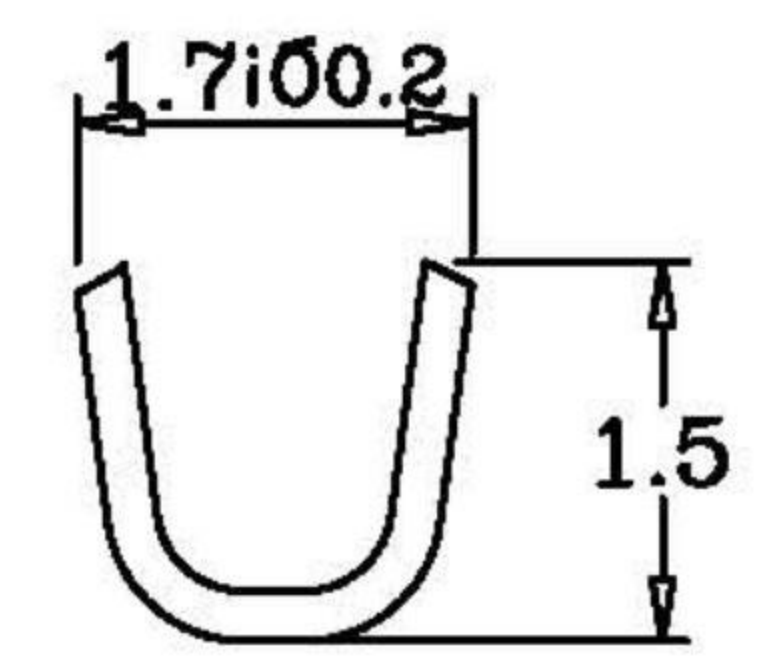


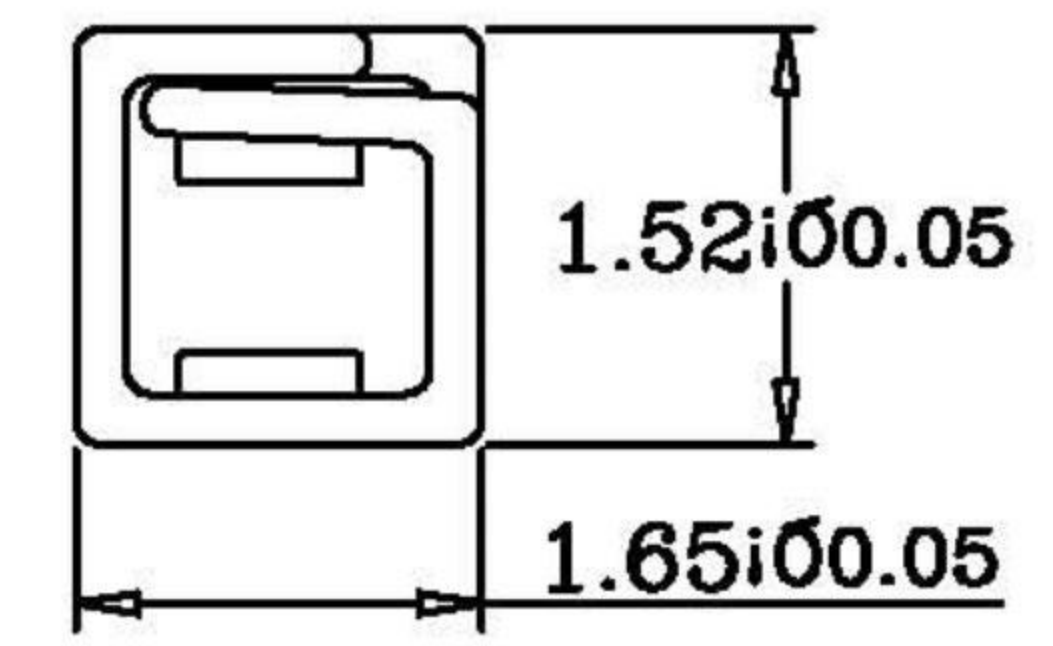
**2.54mm (.100") Pitch Crimp Terminal**



Section A-A



Section B-B



Section C-C

**Specifications & Ordering Information:**

Thickness	Material	Wire Range	Insulation O.D.	Finish	Qty/reel
0.2	Brass	AWG #22~28	1.6-1.2 mm	Gold Flash	10,000PCS
0.2	Brass	AWG #22~28	1.6-1.2 mm	Pre. Tin-Plated	10,000PCS