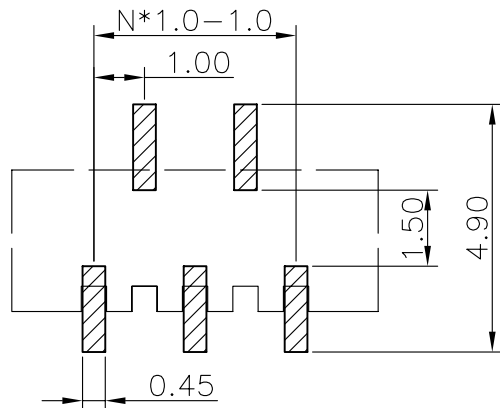
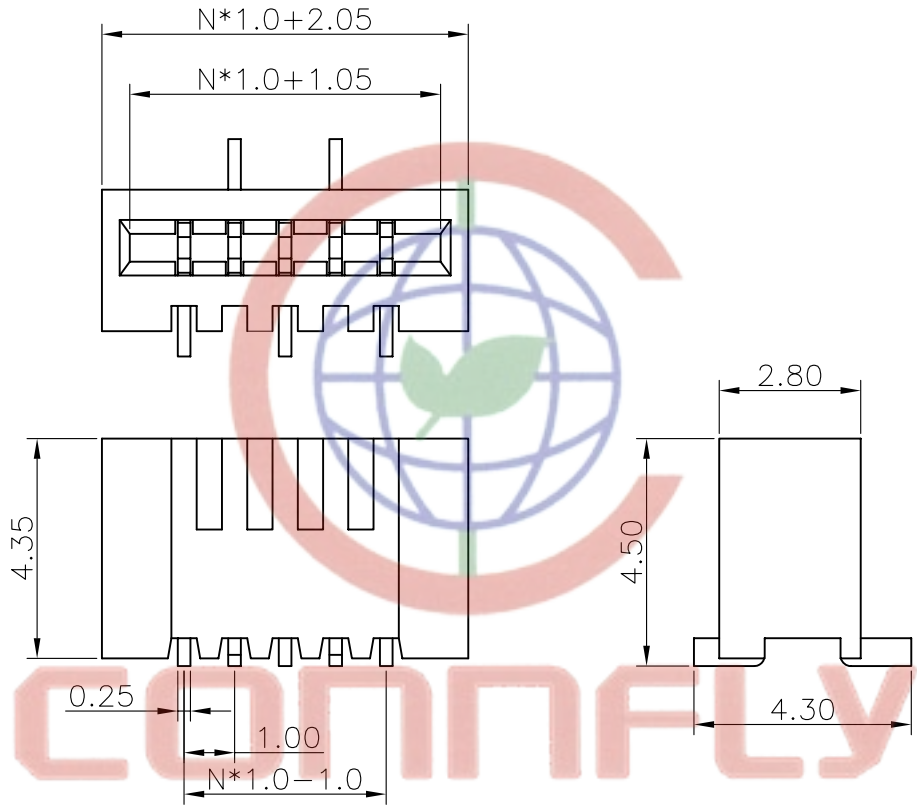


REV.	DESCRIPTION	DRAWN	CHECKED	APPROVED
A	NEW RELEASE	YCH 04/18/12'	~	

NOTES:

- MATERIAL
 - INSULATOR: THERMOPLASTIC (UL 94V-0).
 - CONTACT: COPPER ALLOY.
- SPECIFICATION
 - TEMPERATURE: -45~+110°C.
 - CONTACT RESISTANCE: 20mΩ max.
 - INSULATION RESISTANCE: 100MΩ min.
 - DIELECTRIC WITHSTANDING VOLTAGE: AC 100V PER MINUTE.
- PART NUMBER: DS1020-05
- PRODUCT NUMBER CODE:
 DS1020-05- X X X
 - CONTACT PLATING
 - T1: TIN
 - 8: FULL GOLD FLASH
 - HOUSING COLOR
 - B: BLACK
 - No. OF CONTACTS
 - 02~36



RECOMMEND PCB LAYOUT
(TOLERANCE=±0.05)

Tel: 86-574-63508787

Fax: 86-574-63510817

E-mail: sale@zhengjin.com.cn

Http://www.zhengjin.com.cn

Address: West Xilin Town Sixi Ningbo China

GENERAL TOLERANCE		ANGLE TOLERANCE		PROJECTION		TITLE	1.00mm FPC CONNECTOR
X.	±0.60	X.	±5°	UNITS	mm		V/T SMT TYPE
.X	±0.38	.X	±3°	SHEET SIZE	A4	SERIES	DS1020-05 SERIES
.XX	±0.25	.XX	±2°				
DRAWING TYPE	CUSTOMER			晨翔电子有限公司 CONNFLY CONNFLY ELECTRONIC CO. LTD			
SCALE	1:1	SHEET	1 OF 1				
DRAWING NO.	C-DS1020-05-XXX						