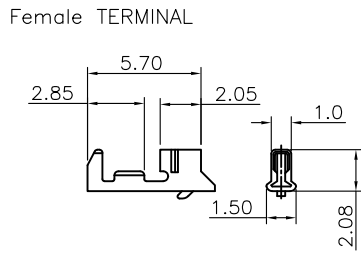


REV.	DESCRIPTION	DRAWN	CHECKED	APPROVED
A	NEW RELEASE	LJH 05/09/05'		LJC 05/09/05'
B	ADD P/N CODE®	JLZ 01/30/15'		



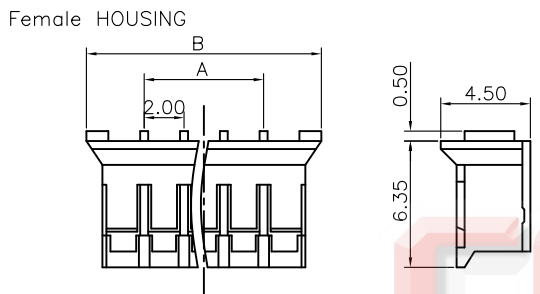
® T-DS1066-S C 6 0 0
Contact Plating
6: Tin

Female Terminal

Wire Range		O.D of Wire
Section Area (mm ²)	AWG#	mm
0.05~0.22	30~24	0.9~1.5

NOTES:

- MAIN SPECIFICATIONS
 - Housing material: NYLON 66
 - Wire range: AWG#30~#24
 - Rated voltage: 250V
 - Rated current: 1A
 - Contact resistance: ≤ 30mΩ
 - Insulation resistance: ≥ 1000MΩ
 - Withstanding voltage: 500V,AC 1 minute
 - Temperature range: -25 ~ +85°C
 - Recommend PC board thickness:1.6mm

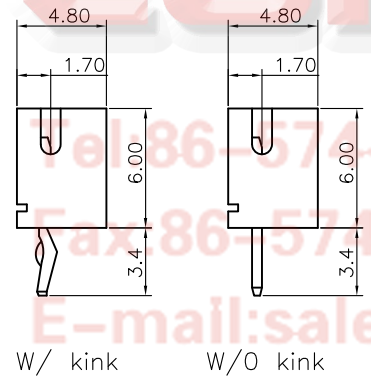
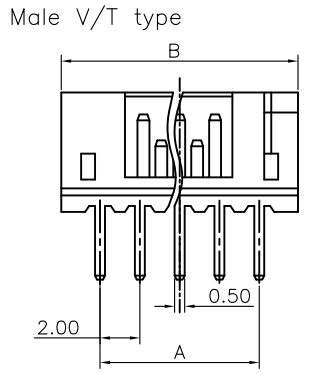


® I-DS1066-S C W 0 X
No.of contact
02~15

2. PRODUCT NUMBER CODE:

DS1066 - X X X X X X X

- Bend Type(R/A only)
 - A: Type A
 - B: Type B
- Contact Type
 - X: W/O kink
 - S: W/ kink
- Contact Plating
 - 6: Tin
 - 8: Full gold flash
- Housing Color
 - W: White
- Mounting type
 - V: V/T type
 - R: Right Angle
- Connector type
 - M: Male
- No.of contact
 - 2 to 15

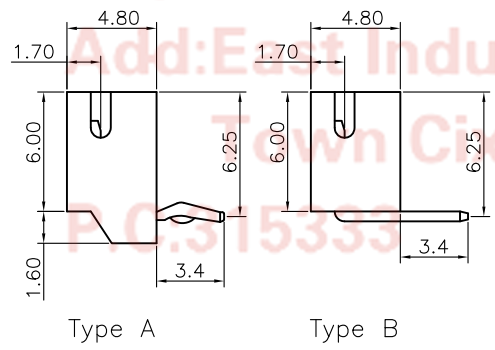
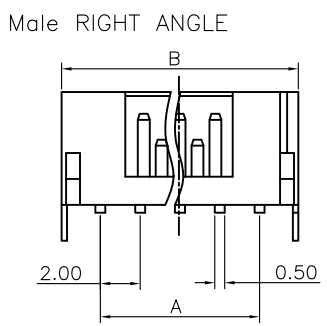


Female HOUSING

Position	DIMENSION	
	A	B
2	2.0	5.8
3	4.0	7.8
4	6.0	9.8
5	8.0	11.8
6	10.0	13.8
7	12.0	15.8
8	14.0	17.8
9	16.0	19.8
10	18.0	21.8
11	20.0	23.8
12	22.0	25.8
13	24.0	27.8
14	26.0	29.8
15	28.0	31.8

Male

Position	DIMENSION	
	A	B
2	2.0	5.9
3	4.0	7.9
4	6.0	9.9
5	8.0	11.9
6	10.0	13.9
7	12.0	15.9
8	14.0	17.9
9	16.0	19.9
10	18.0	21.9
11	20.0	23.9
12	22.0	25.9
13	24.0	27.9
14	26.0	29.9
15	28.0	31.9



GENERAL TOLERANCE		ANGLE TOLERANCE	
X.	±0.60	X.	±5°
.X	±0.38	.X	±3°
.XX	±0.25	.XX	±2°

PROJECTION		TITLE	P.C.B CONNECTOR 2.0mm PH TYPE	
UNITS	mm	SHEET SIZE	A4	SERIES DS1066 SERIES

DRAWING TYPE	CUSTOMER			
SCALE	1:1	SHEET	1 OF 1	
DRAWING NO.	C-DS1066-XXXXXXX-B			

晨翔电子有限公司
CONNFly CONNFly ELECTRONIC CO. LTD