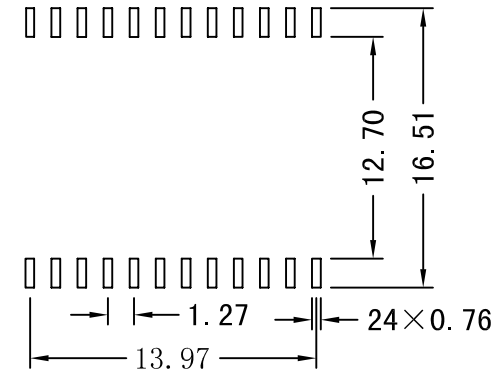
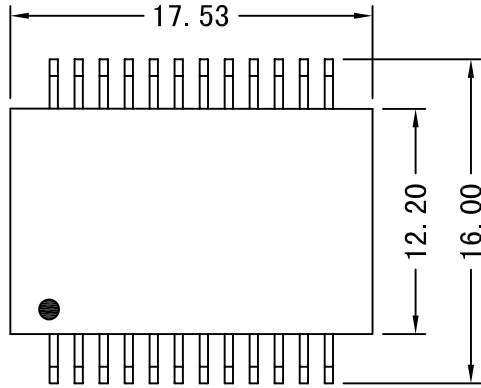
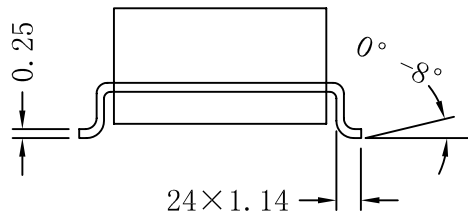
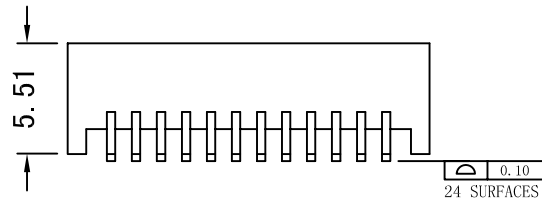


Mechanical :

| REV. | ECN NO. | DESCRIPTION | DATE | APPD |
|------|---------|-------------|------------|------|
| A | REL | | 24/09/2009 | |



SUGGESTED PAD LAYOUT



NOTES:

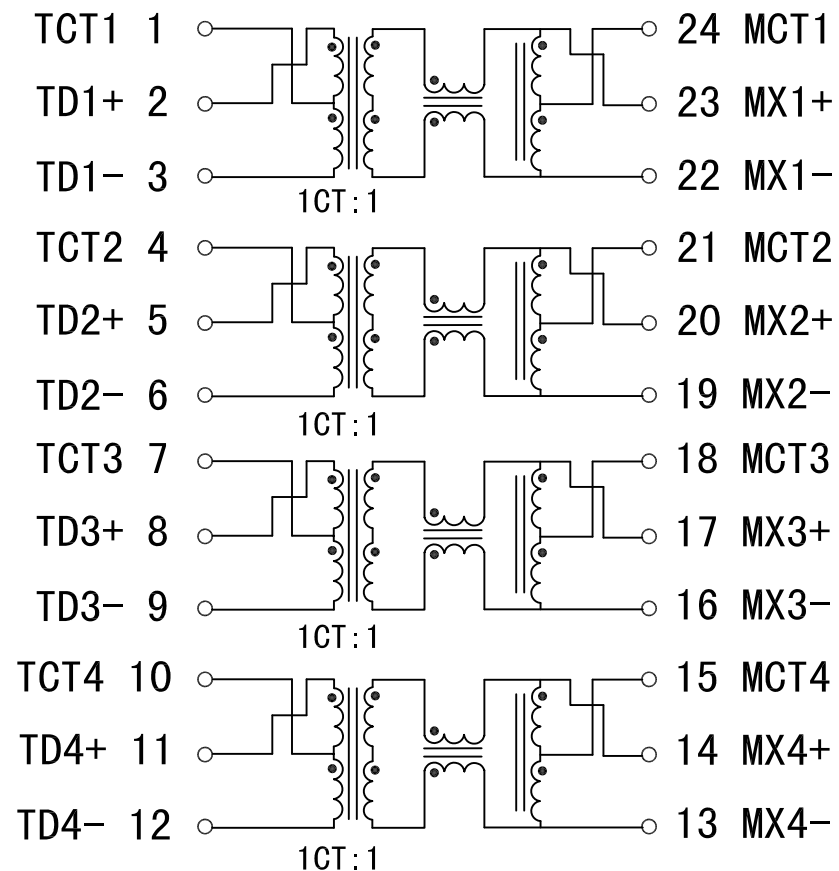
1. Designed to support application, such as SOHO (ADSL modems), LAN-on-Motherboard (LOM), hub and Switches.
2. With various Turns Ratios.
3. 350uH min OCL with 8mA bias current.
4. RoHS "NL" peak solder rating $260 \pm 5^\circ\text{C}$.



| | | | | |
|--------|------------|------------|---------------------------------------|---------------------|
| X:X | ±0.20 | APPD: | LINK-PP INT'L TECHNOLOGY CO., LIMITED | |
| X:XX | ±0.10 | CHKD: | Title: 1000Base-T Magnetic Modules | |
| X:XXX | ±0.05 | DR: TOM | PART NO.: LP5007NL | |
| ANGLES | ±1° | UNIT: mm | | |
| | SCALE: 2/1 | SHEET: 1/2 | REV: A | DWG NO.: LP09092405 |

Schematic:

| REV. | ECN NO. | DESCRIPTION | DATE | APPD |
|------|---------|-------------|------------|------|
| A | REL | | 24/09/2009 | |



Electrical Specifications @25°C

- Insertion Loss:
 - 1-100MHz: -1.0dB max
- Return Loss (dB min):
 - 1-30MHz: -18 40MHz: -18
 - 50MHz: -16 60-80MHz: -12
 - 100MHz: -10
- Crosstalk (dB min):
 - 30MHz: -45 60MHz: -40
 - 100MHz: -35
- DCMR: (dB min):
 - 30MHz: -43 60MHz: -37
 - 100MHz: -33
- Isolation Voltage: 1500Vrms min
- Operating Temperature: 0~70°C



| | | | | |
|--------|------------|------------|---------------------------------------|---------------------|
| X:X | ±0.20 | APPD: | LINK-PP INT'L TECHNOLOGY CO., LIMITED | |
| X:XX | ±0.10 | CHKD: | Title: 1000Base-T Magnetic Modules | |
| X:XXX | ±0.05 | DR: TOM | PART NO.: LP5007NL | |
| ANGLES | ±1° | UNIT: mm | | |
| | SCALE: 2/1 | SHEET: 2/2 | REV: A | DWG NO.: LP09092405 |