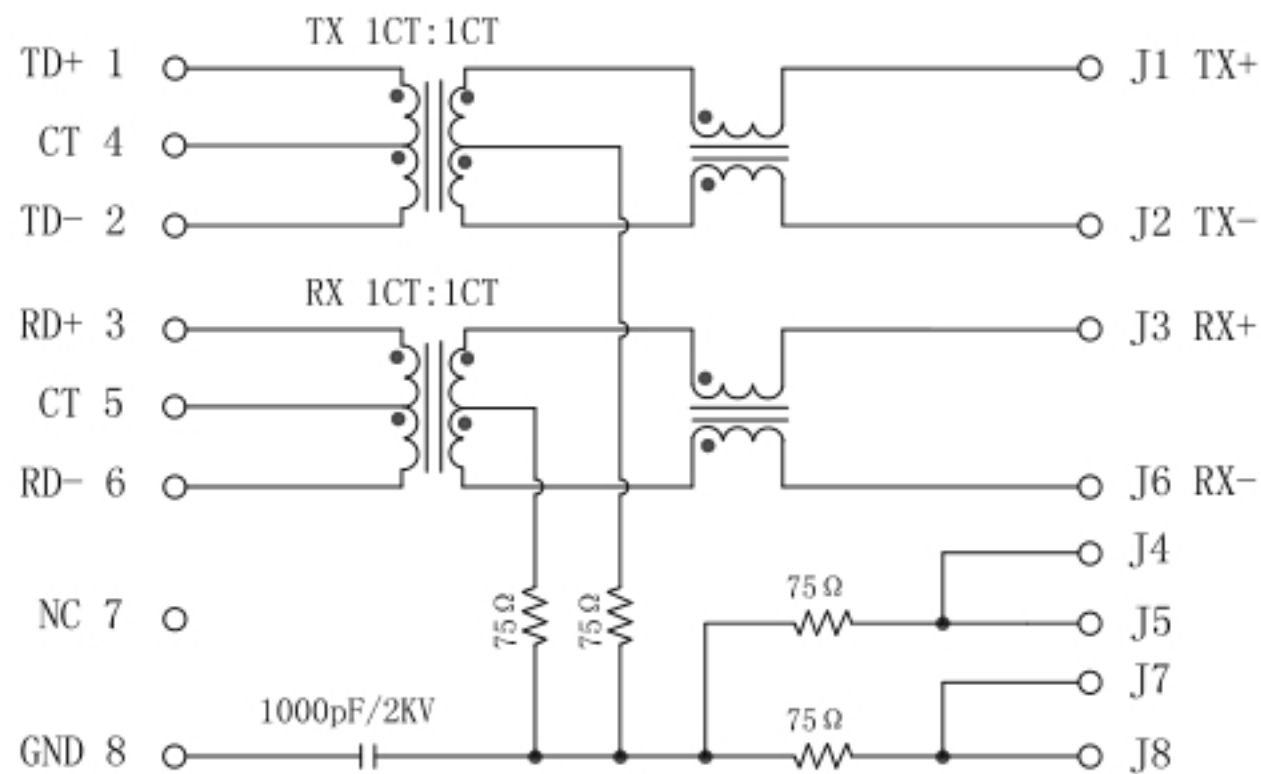


# Schematic:



REV.	ECN NO.	DESCRIPTION	DATE	APPD
A	REL		2010/07/02	

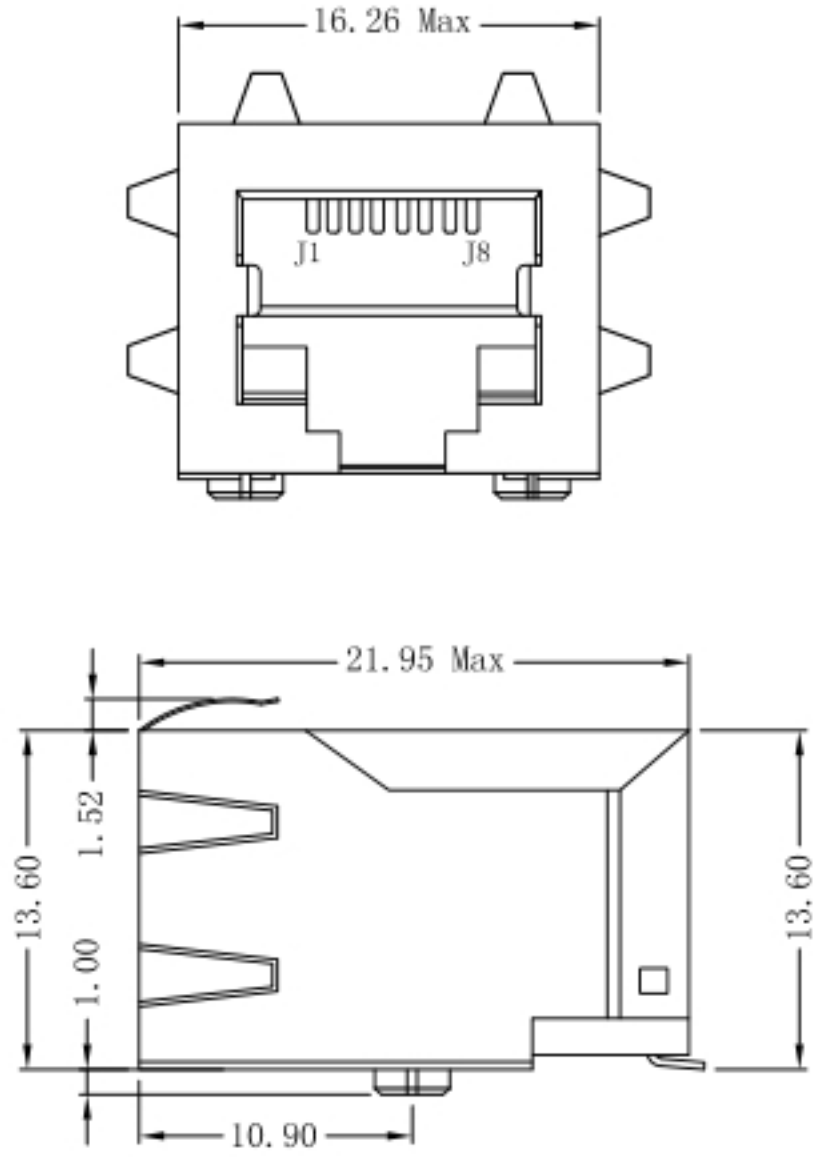
## Electrical Specification @25°C

- Turns Ratio ( $\pm 2\%$ ):  
TX=1CT:1CT      RX=1CT:1CT
- OCL: 350uH Min  
@100KHz, 100mV, 8mADC
- Insertion Loss:  
1-65MHz:-1.0dB Max
- Return Loss (dB Min):  
1-10MHz:-18      30MHz:-14  
60-100MHz:-10
- Crosstalk (dB Min):  
1-60MHz:-35      60-100MHz:-30
- Common Mode Rejection:  
1-130MHz:-20dB Min
- Isolation Voltage: 1500Vrms
- Operating Temperature: 0°C~70°C.

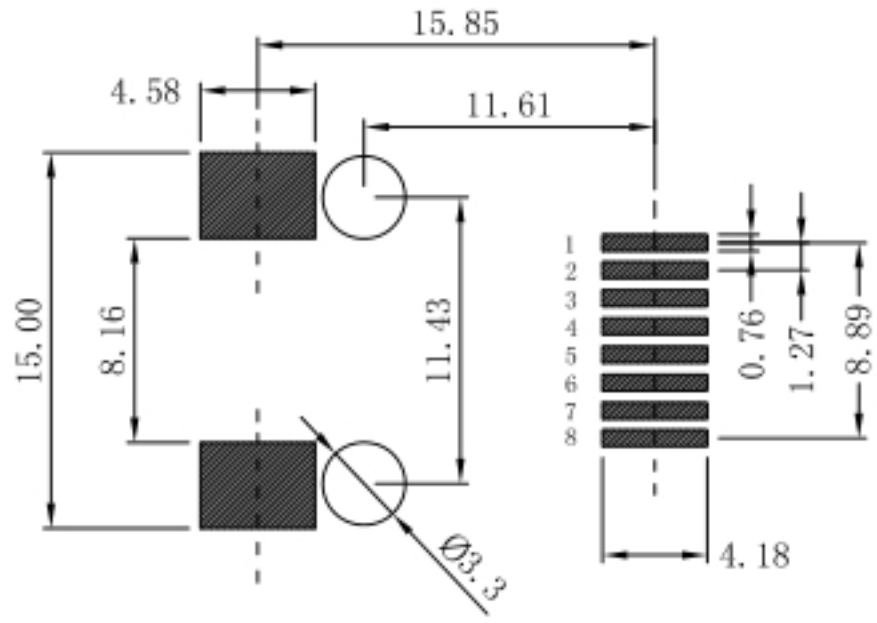
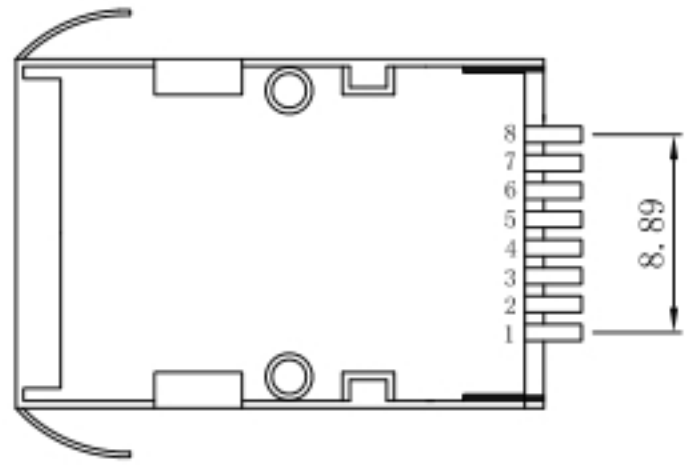


X:X	$\pm 0.30$	APPD:	LINK-PP INT'L TECHNOLOGY CO., LIMITED
X:XX	$\pm 0.25$	CHKD:	
X:XXX	$\pm 0.05$	DR: TOM	
ANGLES	$\pm 1^\circ$	UNIT: mm	TITLE: Surface Mount 1x1 Tab-Down Jack with 10/100 Magnetic SMT
		PART NO.:	LPJ19111CNL
	SCALE: 2/1	SHEET: 1/2	REV: A
		DWG NO.:	LP10101506

# Mechanical :



REV.	ECN NO.	DESCRIPTION	DATE	APPD
A	REL		2010/07/02	



SUGGESTED PCB LAYOUT (TOP VIEW)

**NOTES:**

1. Designed to support application, such as SOHO (ADSL modems), LAN-on-Motherboard (LOM), hub and Switches.
2. Meets IEEE 802.3 specification
3. Connector Materials:  
 Housing: Thermoplastic UL94V-0  
 Contact/Shield: Copper alloy  
 Shield plating: Nickel  
 Contact plating: Gold 6 micro-inches min. In contact area.
4. Wave solder tip temperature: 265°C Max  
 Wave solder tip temperature time: 5 Sec Max



X:X	±0.30	APPD:	LINK-PP INT'L TECHNOLOGY CO., LIMITED
X:XX	±0.25	CHKD:	
X:XXX	±0.05	DR: TOM	
ANGLES	±1°	UNIT: mm	TITLE: Surface Mount 1×1 Tab-Down Jack with 10/100 Magnetic SMT
			PART NO.: LPJ19111CNL
SCALE: 2/1		SHEET: 2/2	REV: A
		DWG NO.: LP10101506	