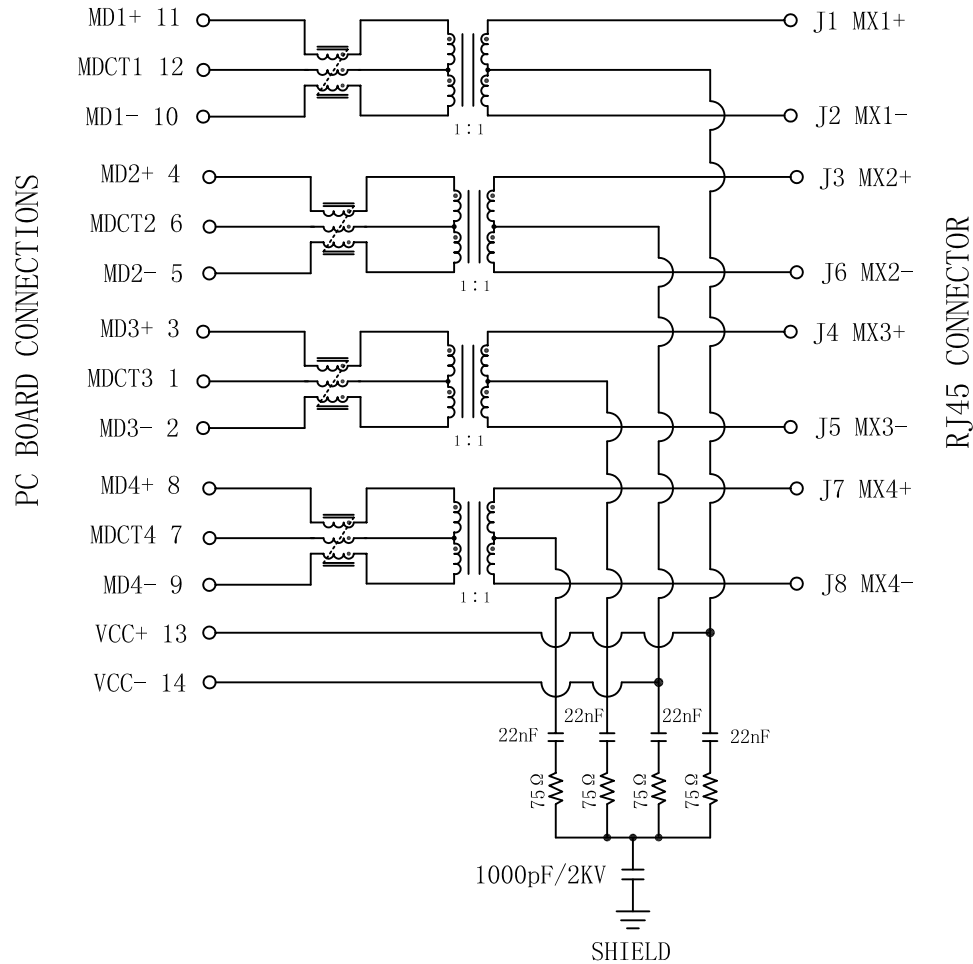


# Schematic:

REV.	ECN NO.	DESCRIPTION	DATE	APPD
A	REL		2010/06/11	



## Electrical Specifications @25°C

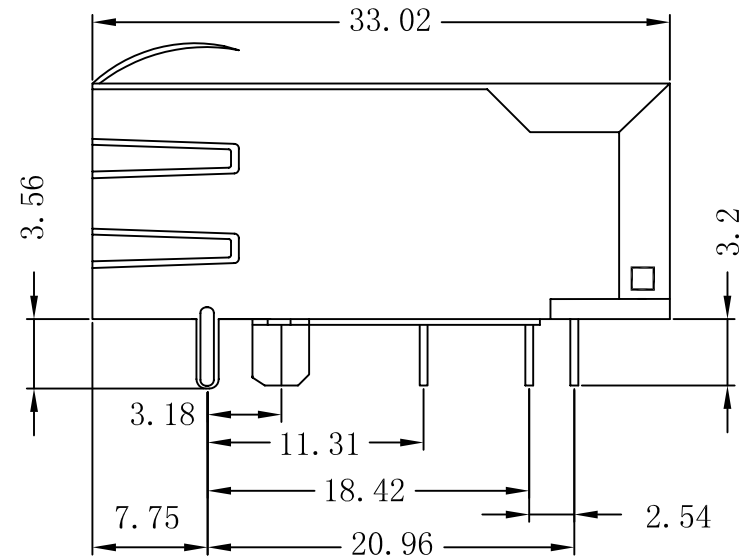
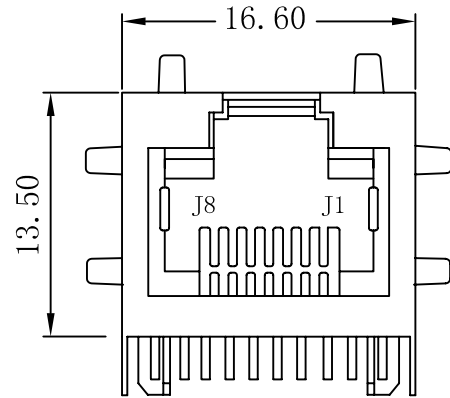
- 350uH min OCL with 8mA bias current.
- Turns Ratio( $\pm 2\%$ ):  
TX=1CT:1 RX=1CT:1
- Insertion Loss:  
1-100MHz:-1.0dB Max
- Return Loss( $100\Omega \pm 15\Omega$ ):  
30MHz:-16dB Min  
60-80MHz:-12dB Min  
100MHz:-10dB Min
- Crosstalk:  
30MHz:-44dB Min  
60MHz:-37dB Min  
100MHz:-33dB Min
- Common Mode Rejection:  
1-50MHz:-27dB Min  
50-130MHz:-20dB Min
- HI-POT:1500Vrms Min @60Hz
- Operating Temperature: 0°C~70°C.



X:X	$\pm 0.20$	APPD:	LINK-PP INT'L TECHNOLOGY CO., LIMITED	
X:XX	$\pm 0.10$	CHKD:	Title: RJ45 Connector with 1000 Base-TX Integrated Magnetic & PoE	
X:XXX	$\pm 0.05$	DR: TOM		
ANGLES	$\pm 1^\circ$	UNIT: mm	PART NO.: LPJK1045CNL	
	SCALE: 2/1	SHEET: 1/2	REV: A	DWG NO.: LP10061102

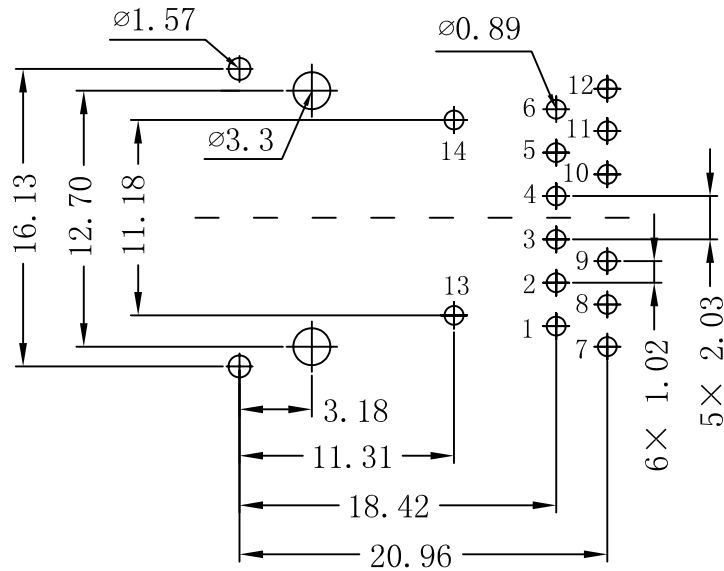
# Mechanical:

REV.	ECN NO.	DESCRIPTION	DATE	APPD
A	REL		2010/04/11	



## NOTES:

1. Designed to support application, such as SOHO (ADSL modems), LAN-on-Motherboard (LOM), hub and Switches.
2. Meets IEEE 802.3 specification
3. Connector Materials:  
 Housing: Thermoplastic UL94V-0  
 Contact/Shield: Copper alloy  
 Shield plating: Nickel  
 Contact plating: Gold 6 micro-inches min. In contact area.
4. Wave solder tip temperature: 265°C Max  
 Wave solder tip temperature time: 5 Sec Max



SUGGESTED PCB LAYOUT (TOP VIEW)



X:X	±0.20	APPD:	LINK-PP INT'L TECHNOLOGY CO., LIMITED
X:XX	±0.10	CHKD:	
X:XXX	±0.05	DR: TOM	Title: RJ45 Connector with 1000 Base-TX Integrated Magnetic & PoE
ANGLES	±1°	UNIT: mm	PART NO.: LPJK1045CNL
	SCALE: 2/1	SHEET: 2/2	REV: A DWG NO.: LP10061102