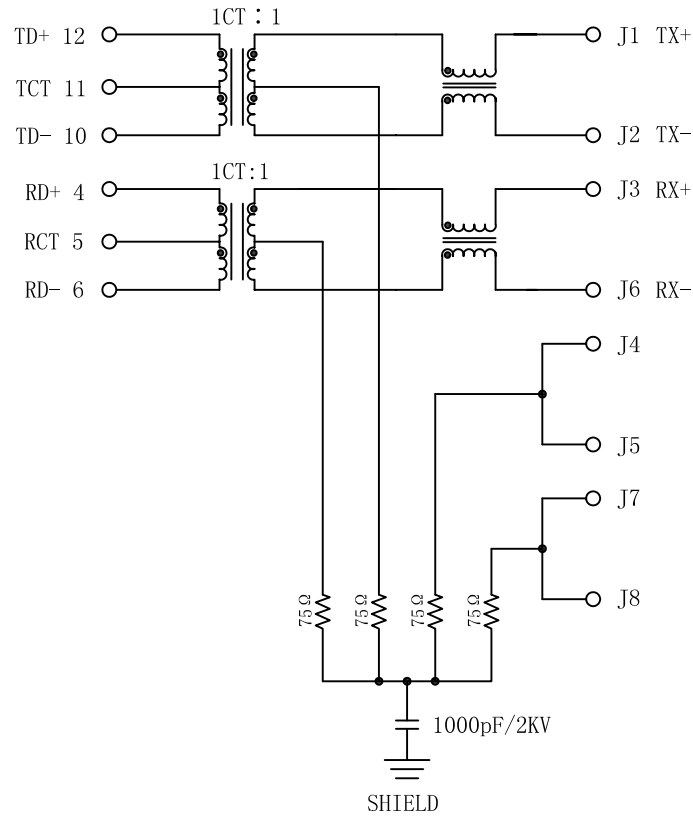


Schematic:

REV.	ECN NO.	DESCRIPTION	DATE	APPD
A	REL		2012/06/12	

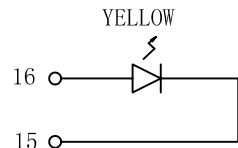
PCB CONNECTIONS



RJ45 CONNECTOR

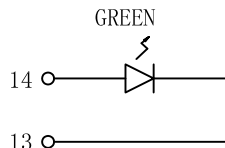
Electrical Specification @25°C

- Turns Ratio:
TX=1CT : 1 RX=1CT : 1
- OCL: 350uH Min @100KHz/100mVrms
8mA DC Bias (0°C~70°C)
- Insertion Loss(dB Max):
0.1~1MHz:-1.1
1~65MHz:-0.5
65~100MHz:-0.8
100~125MHz:-1.2
- Return Loss(dB Min @100 OHMS±15%):
0.5~40MHz:-18
50~100MHz:-[12+20LOG(f/80MHz)]
- CM to CM Rej:
0.1~100MHz:-30dB Min
- CM to DM Rej:
0.1~100MHz:-35dB Min
- Hipot: 1500Vrms
- Operating Temperature: 0°C~+70°C.



LEFT LED

LED POLARITY		COLOR
PIN 15	PIN 16	
-	+	YELLOW



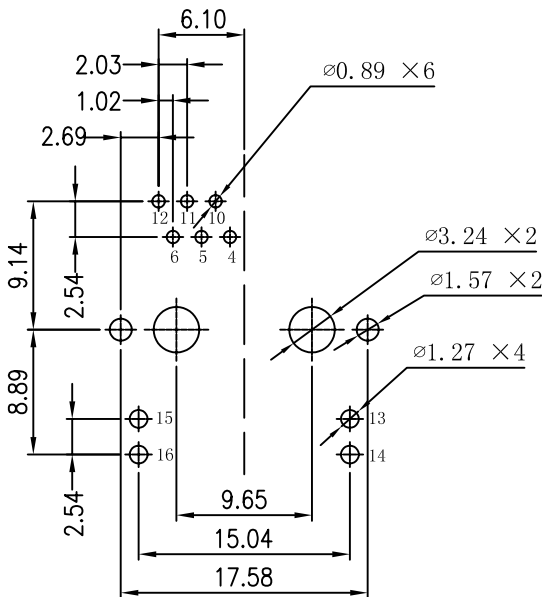
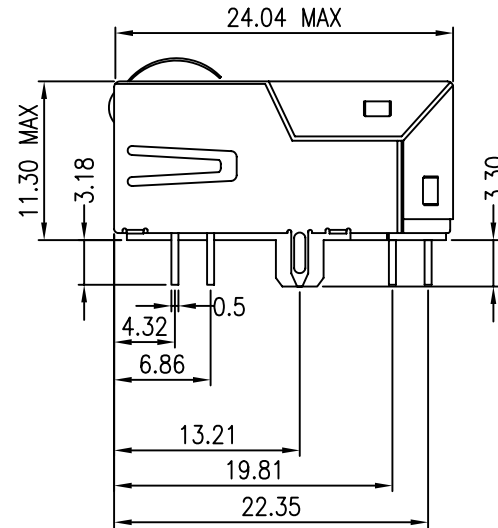
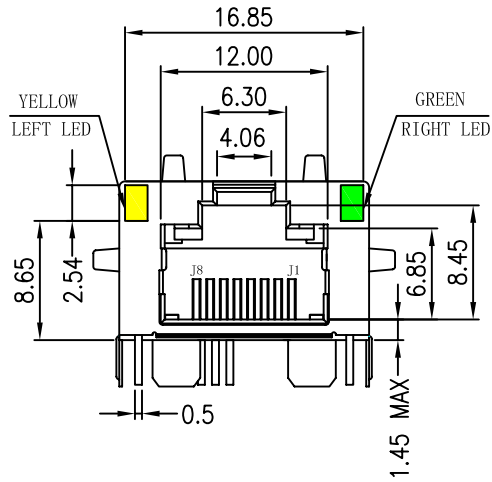
RIGHT LED

LED POLARITY		COLOR
PIN 13	PIN 14	
-	+	GREEN

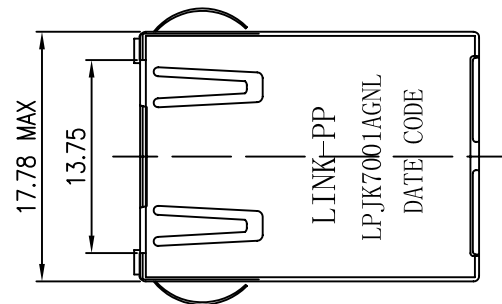
X:X	±0.20	APPD:	LINK-PP INT'L TECHNOLOGY CO., LIMITED	
X:XX	±0.10	CHKD:	TITLE: RJ45 Connector With 10/100 Base-TX Integrated Magnetic	
X:XXX	±0.05	DR: TOM	PART NO.: LPJK7001AGNL	
ANGLES	±1°	UNIT: mm		
	SCALE: 2/1	SHEET: 1/2	REV: A	DWG: LP12061202

Mechanical:

REV.	ECN NO.	DESCRIPTION	DATE	APPD
A	REL		2012/03/15	



SUGGESTED PCB LAYOUT(TOP VIEW)



NOTES:

1. Designed to support application, such as SOHO (ADSL modems), LAN-on-Motherboard (LOM), hub and Switches.
2. Meets IEEE 802.3 specification
3. Connector Materials:
 Housing: Thermoplastic UL94V-0
 Contact/Shield: Copper alloy
 Shield plating: Nickel
 Contact plating: Gold 6 micro-inches min. In contact area.
4. Wave peak temperature: 260°C, 5Sec.



X:X	±0.20	APPD:	LINK-PP INT'L TECHNOLOGY CO., LIMITED
X:XX	±0.10	CHKD:	
X:XXX	±0.05	DR: TOM	TITLE: RJ45 Connector With 100 Base-TX Integrated Magnetic
ANGLES	±1°	UNIT: mm	PART NO.: LPJK7001AGNL
	SCALE: 2/1	SHEET: 2/2	REV: A
			DWG: LP12061202