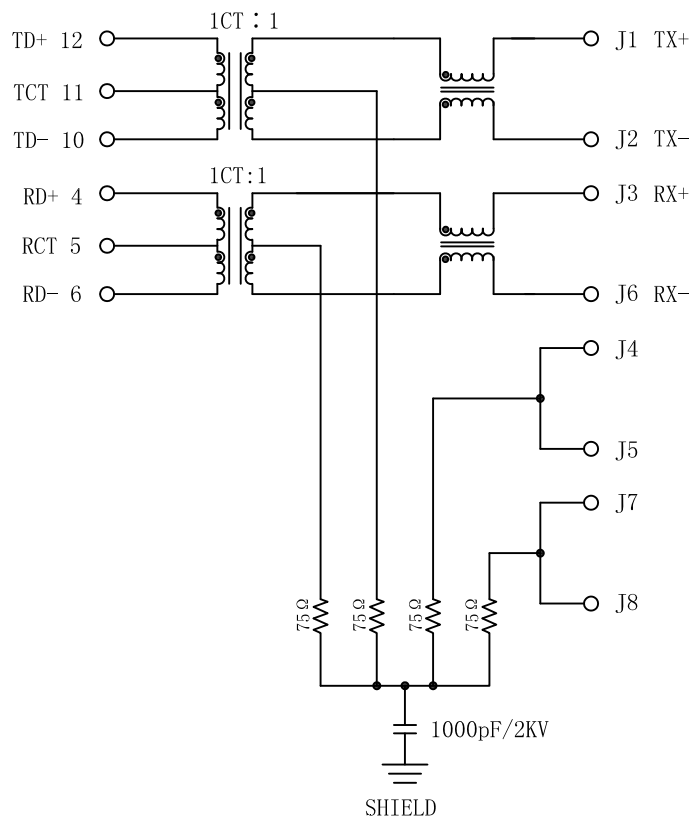


Schematic:

REV.	ECN NO.	DESCRIPTION	DATE	APPD
A	REL		2012/06/12	

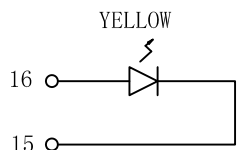
PCB CONNECTIONS



RJ45 CONNECTOR

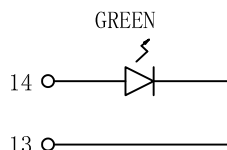
Electrical Specification @25°C

- Turns Ratio:
TX=1CT : 1 RX=1CT : 1
- OCL: 350uH Min @100KHz/100mVrms
8mA DC Bias
- Insertion Loss(dB Max):
0.1~1MHz:-1.1
1~65MHz:-0.5
65~100MHz:-0.8
100~125MHz:-1.2
- Return Loss(dB Min @100 OHMS ±15%):
0.5~40MHz:-18
50~100MHz:-12+20LOG(f/80MHz)
- CM to CM Rej:
0.1~100MHz:-30dB Min
- CM to DM Rej:
0.1~100MHz:-35dB Min
- Hipot: 1500Vrms
- Operating Temperature: -40°C ~ +85°C.



LEFT LED

LED POLARITY		COLOR
PIN 15	PIN 16	
-	+	YELLOW



RIGHT LED

LED POLARITY		COLOR
PIN 13	PIN 14	
-	+	GREEN

X:X	±0.30	APPD:	LINK-PP INT'L TECHNOLOGY CO., LIMITED
X:XX	±0.25	CHKD:	
X:XXX	±0.05	DR: TOM	TITLE: RJ45 Connector With 10/100 Base-TX Integrated Magnetic
ANGLES	±1°	UNIT: mm	PART NO.: LPJK7401AGNL
	SCALE: 2/1	SHEET: 1/2	REV: A DWG: LP12061203

