

**SPECIFICATIONS**

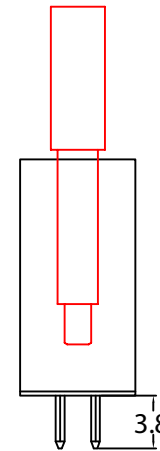
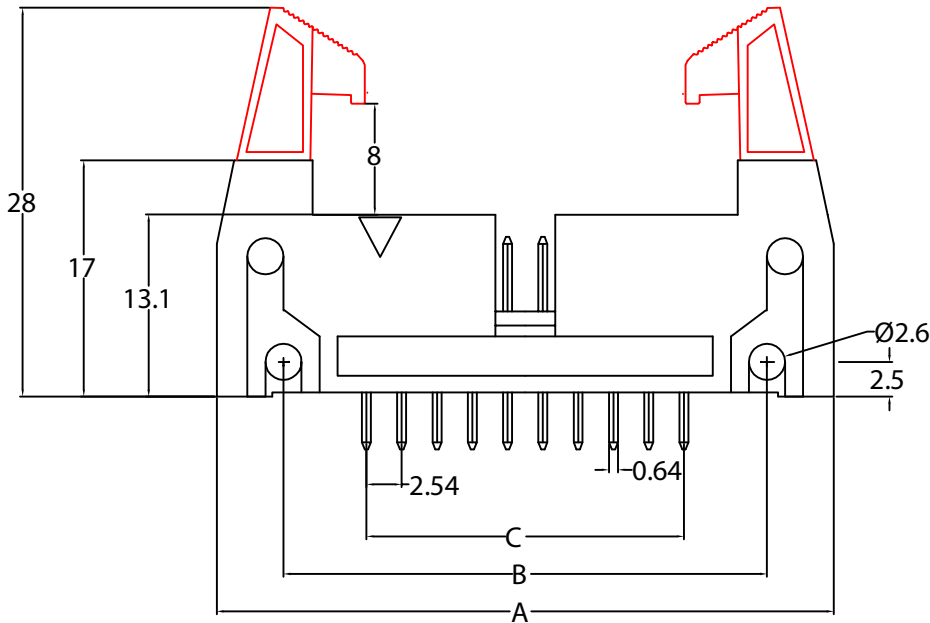
Current Rating:3Amps  
 Insulation Resistance:1000M Ωmin  
 Withstanding Voltage: 1000VAC  
 Contact Resistance:20m Ωmax  
 Operating Temperature:-40°C to+105°C  
 Standard:PBT  
 Contact Material:Brass  
 Contact Plating:Au or Sn Over Ni  
 Max.Processing Temp:180 °Cfor30-60second  
 (200 Cfor10second)

**Code Description**

**CH-254-E-BH-XX-S-GO-A**

(1) (2) (3) (4) (5) (6)

- (1) Pin Spacing: 254=2.54mm
- (2) Product Name: BH=Box Header
- (3) No.of Pins Per Row:6-64
- (4) ContactType:S=Straight;R=Right/Angle;M=SMT
- (5) Contact Plating:SN=Tin;GO=Gold Flash;SO=Gold Flash/Tin
- (6) Insulator Material Option:  
 A=BK-PBT;B=BK-PA6T;C=BK-PA46;D=BK-LCP;S=Special



No.of	DIN.A	DIN.B	DIN.C	No.of	DIN.A	DIN.B	DIN.C	No.of	DIN.A	DIN.B	DIN.C
6	26.92	16.76	5.08	20	44.70	34.54	22.86	50	82.80	72.64	60.96
8	29.46	19.30	7.62	26	52.32	42.16	30.48	60	95.50	85.34	73.66
10	32.00	21.84	10.16	30	57.40	47.24	35.56	64	100.58	90.42	78.74
14	37.08	26.92	15.24	34	62.48	52.32	40.64				
16	39.62	29.46	17.78	40	70.10	59.94	48.26				

UNLESS OTHERWISE SPECIFIED TOLERANCE

X ±0.3 X° ±5°  
 X.X ±0.2 X.X° ±1°  
 X.XX ±0.2 X.XX° ±0.5

DRAWN NAME: CH-254-EBH-XX-S-GO-A

SIZE	A4	SCALE	N:1	PROJECT	
REV	A	UNIT	mm	PROJECT	⊕ ← PAGE 1/1

CHECKED	LIU SHENG HUI	DATE	05/28	CHECKED		DATE	/
---------	---------------	------	-------	---------	--	------	---