



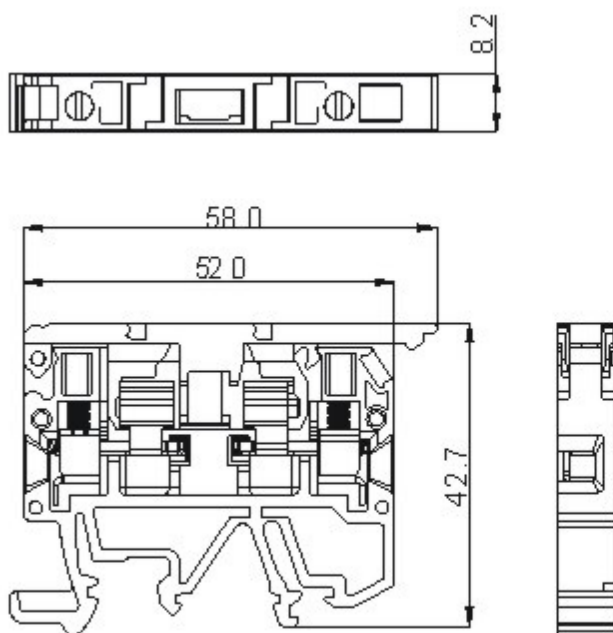
DEGSON ELECTRONICS CO., LTD.

Product Specification

CE

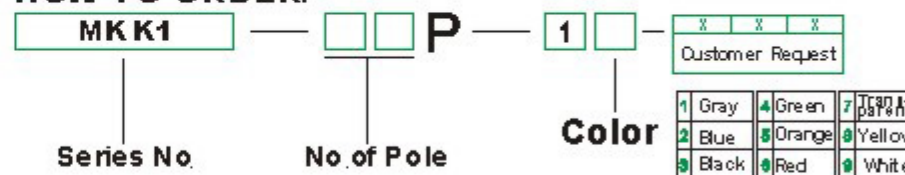


MKK1



Approval		CE
Electrical		IEC
Standard	UL	IEC
Voltage	300V	500V
Current	6.3A	6.3A
Wire size	22-12AWG	0.5-4.0mm ²
TW/End plate		8/58/1.5mm
Height (N 53.5/7.5/N6 35.15/NS32)		44.6/15/45.5mm
Rated Surge Voltage/Contamination Class		6kV/3
Stripping Length		9mm
Screw Thread/Tightening Torque		M3.5/0.8N.m/7.0Lb-in
Insulating Material Inflammability Class		PAW-0
Specification		
(1) Terminal Block	MKK1	100
(2) End Cover	D-MKK1	20
(3) Separating Plate		
(4) Small Partition		
(5) Cross Connection Links	2P 3P 4P 10P	
(6) Protective Covers		
(7) Test Plug		
(8) Wire End Ferrules With Plastic Collar	TH	100
(9) Zack Strip	DEK8	

HOW TO ORDER:



	DEGSON ELECTRONICS CO., LTD.
NAME	MKK 1