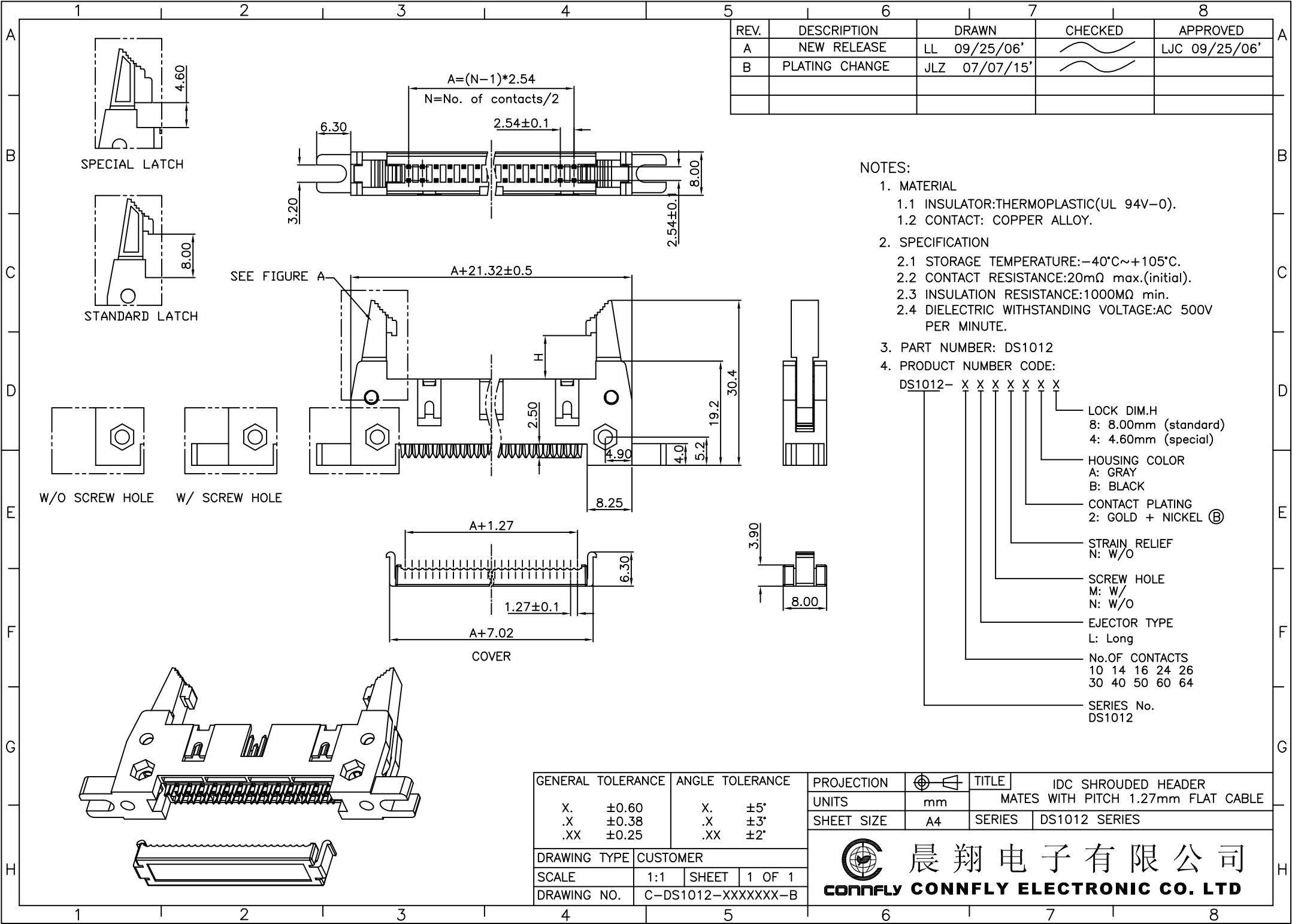


REV.	DESCRIPTION	DRAWN	CHECKED	APPROVED
A	NEW RELEASE	LL 09/25/06'		LJC 09/25/06'
B	PLATING CHANGE	JLZ 07/07/15'		



GENERAL TOLERANCE		ANGLE TOLERANCE	
X.	±0.60	X.	±5°
.X	±0.38	.X	±3°
.XX	±0.25	.XX	±2°

PROJECTION		TITLE	IDC SHROUDED HEADER
UNITS	mm	MATES WITH PITCH 1.27mm FLAT CABLE	
SHEET SIZE	A4	SERIES	DS1012 SERIES

DRAWING TYPE	CUSTOMER		
SCALE	1:1	SHEET	1 OF 1
DRAWING NO.	C-DS1012-XXXXXXX-B		

晨翔电子有限公司
CONNFLY ELECTRONIC CO. LTD