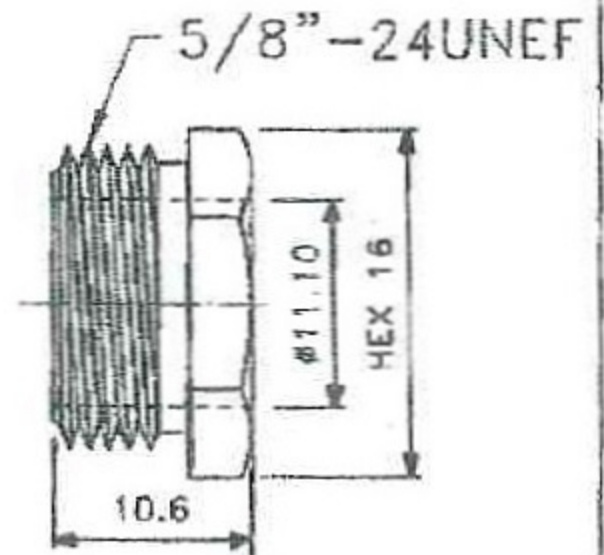
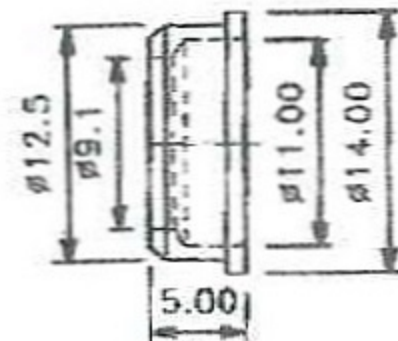
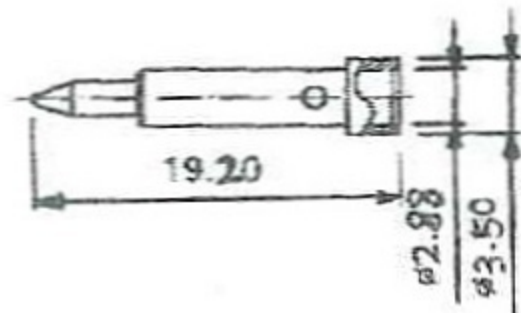
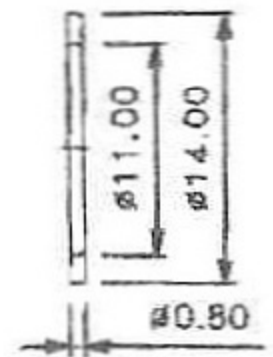
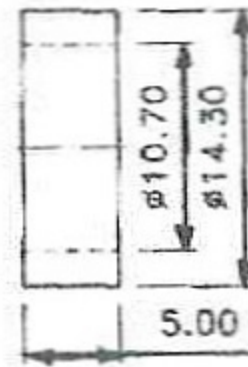
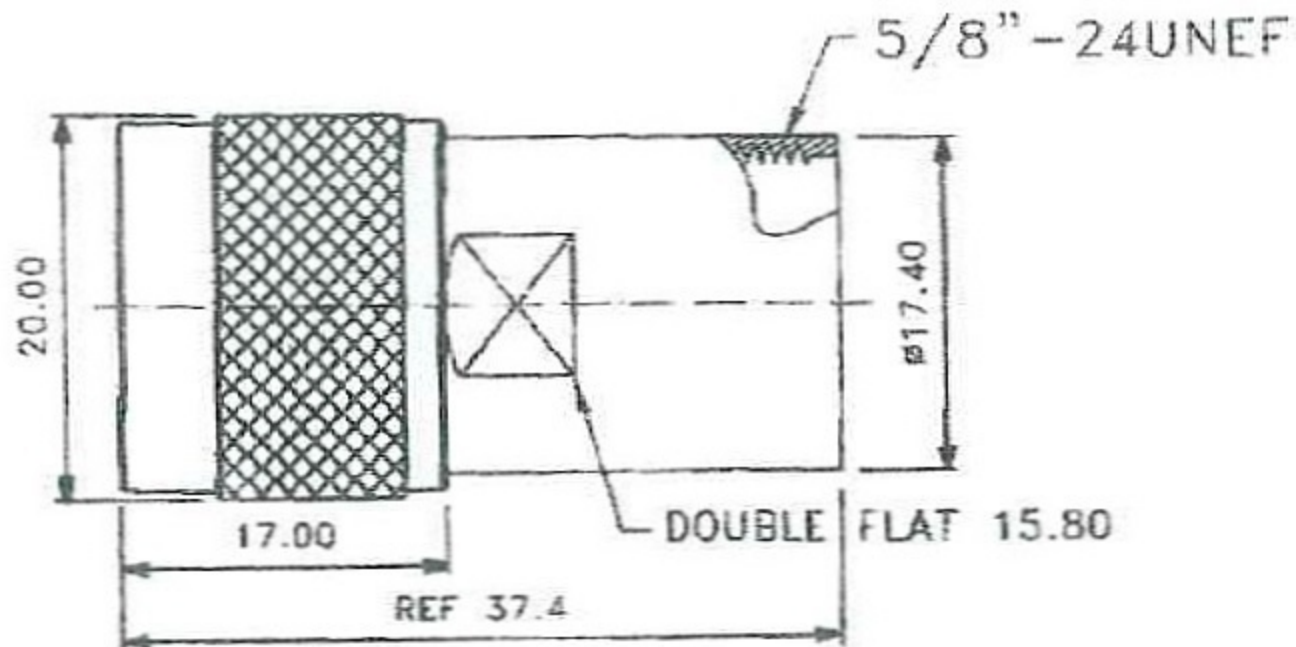


REV	DATE	DESCRIPTION	DRAWN
1	09/09/22	PTFE	



NO	DESCRIPTION	MATERIAL	FINISH	Q'ty
7	CLAMP	BRASS	NICKEL	1
6	GASKET	SI-RUBBER	ORANGE	1
5	SHELL	BRASS	NICKEL	1
4	RETAINING RING	BRASS	NICKEL	1
3	DIELECTRIC	PTFE	NONE	1
2	PIN	BRASS	GOLD	1
1	BODY	BRASS	NICKEL	1



**NOTE**  
 1. STRIP ALL BURRS.  
 2. ALL DIMENSIONS ARE AFTER PLATING.  
 3. DIAMETERS ON COMMON CENTERS.  
 4. CHAMFER 1ST & LAST THREADS 45°.  
 5. BREAK ALL CORNERS & EDGES 0.15 MAX.

**DIMENSION**  
 UNLESS OTHERWISE NOTED TOLERANCES  
 X = ±0.3  
 O.X = ±0.2  
 O.XX = ±0.1

<b>N109</b>		
N MALE CLAMP TYPE OVERLAY		
HDF400		
APPROVED	DRAWN DATE 09/09/22	
CHECKED	SCALE 2:1	
DRAWN	UNIT mm	GL