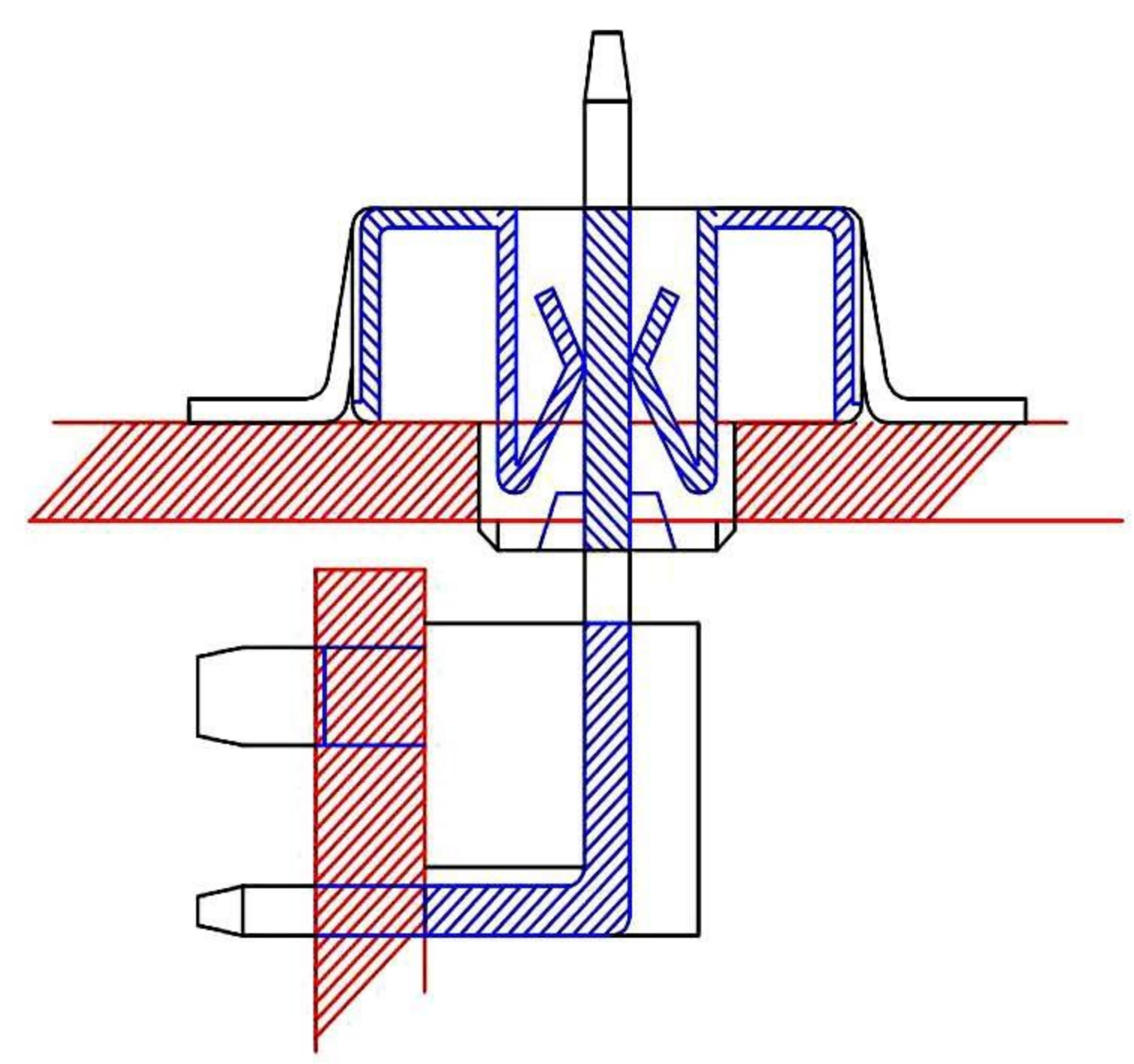
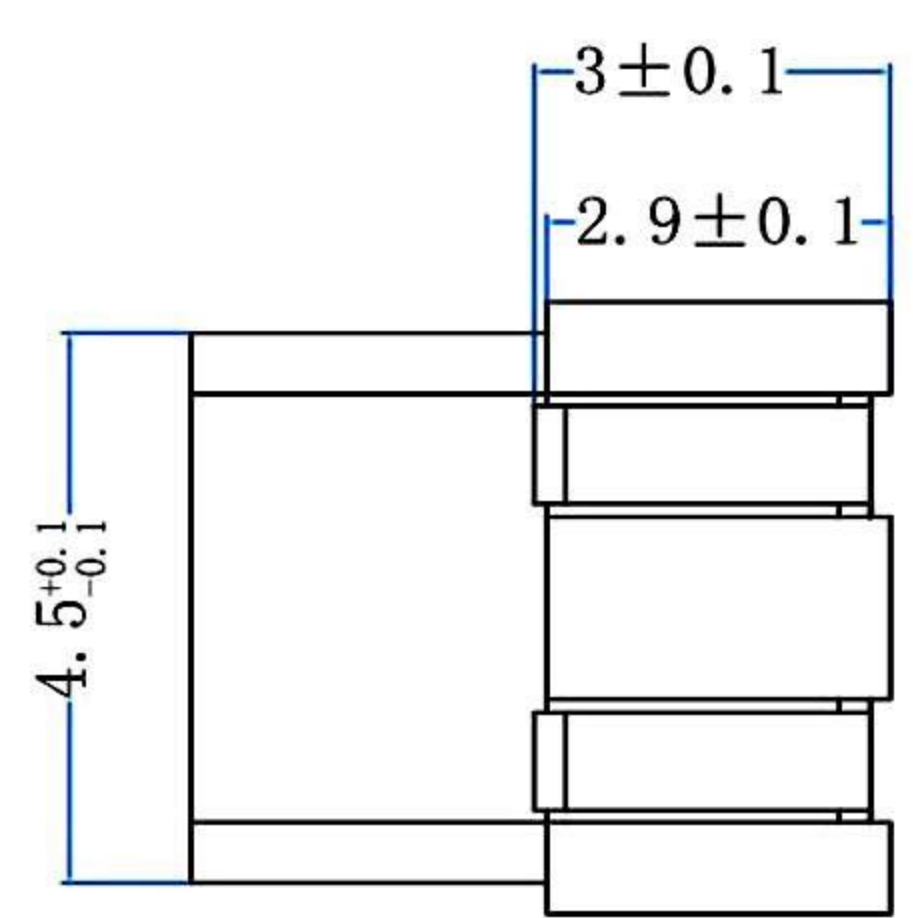
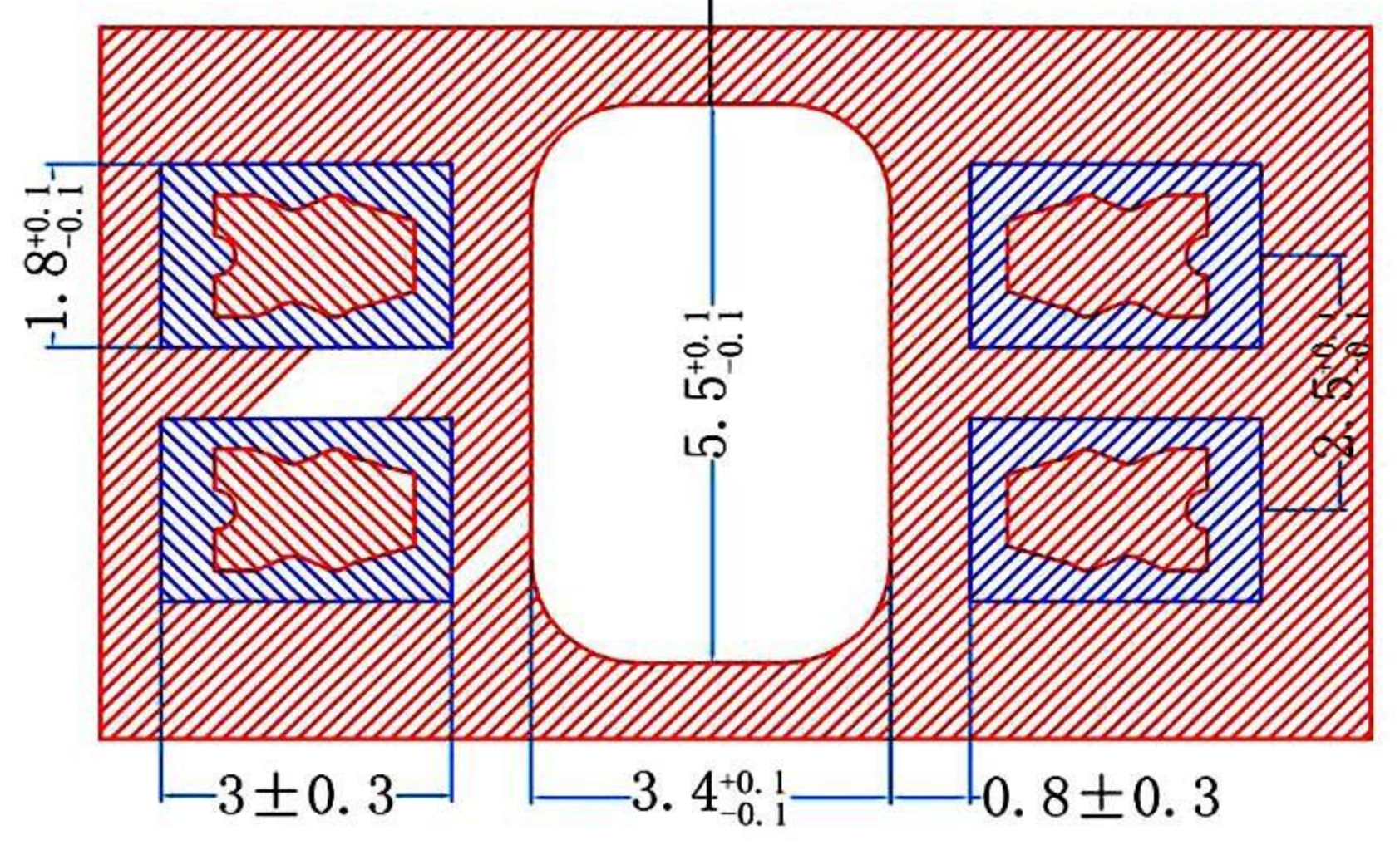
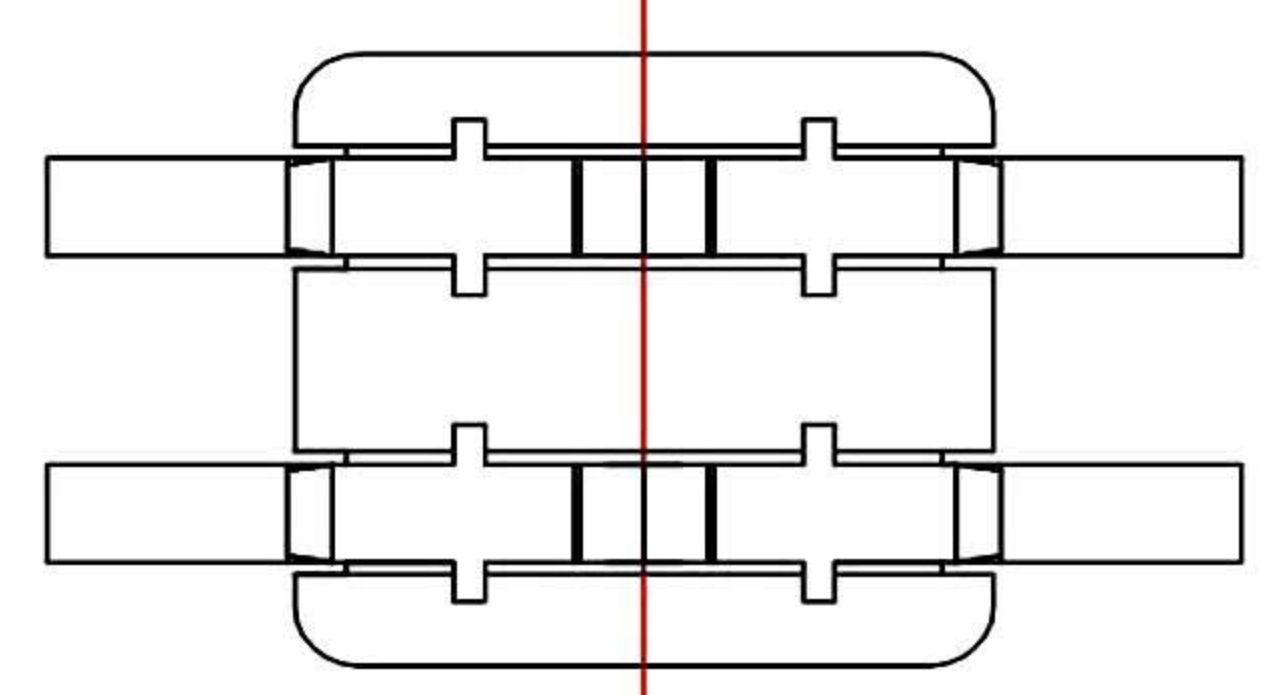
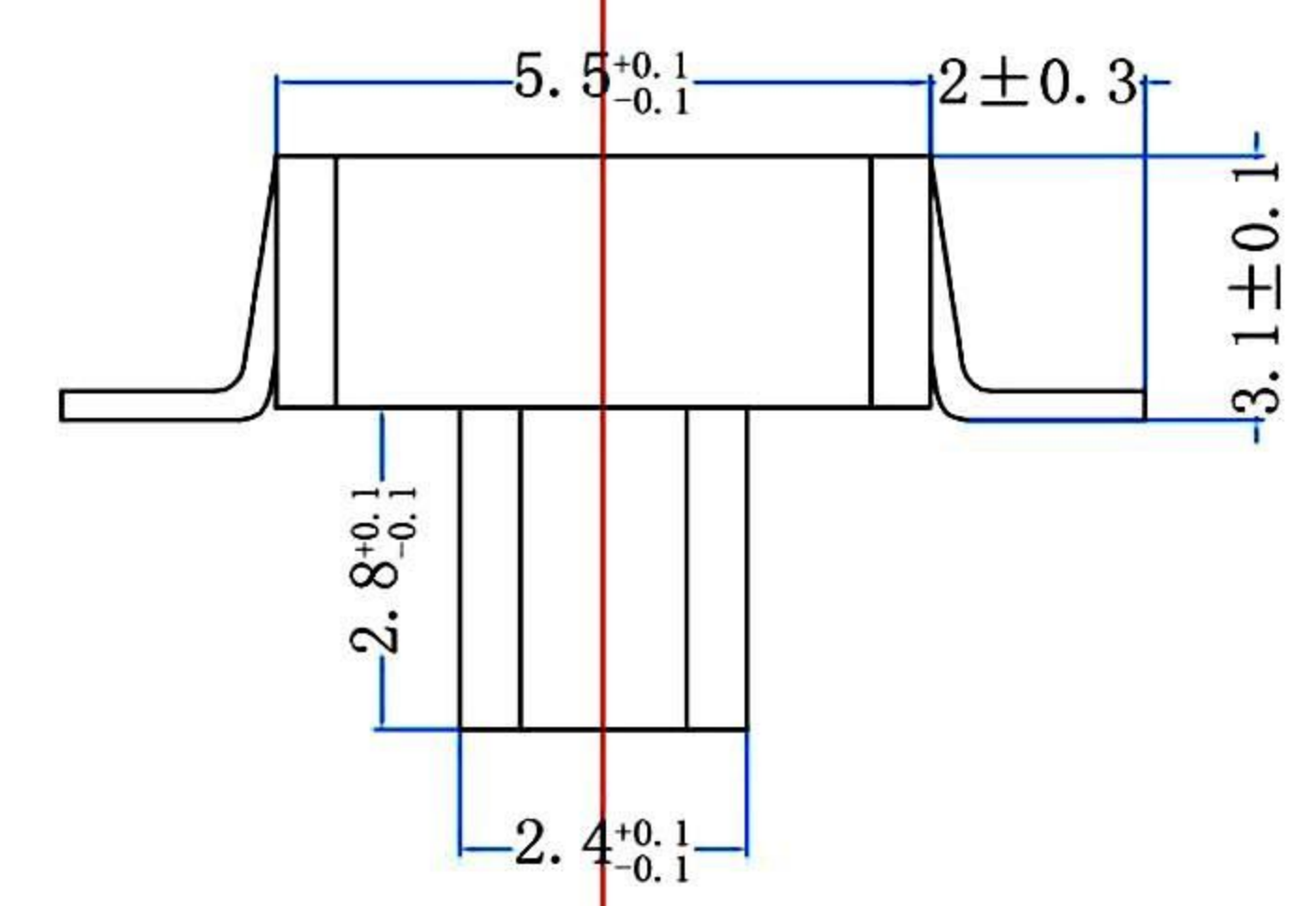
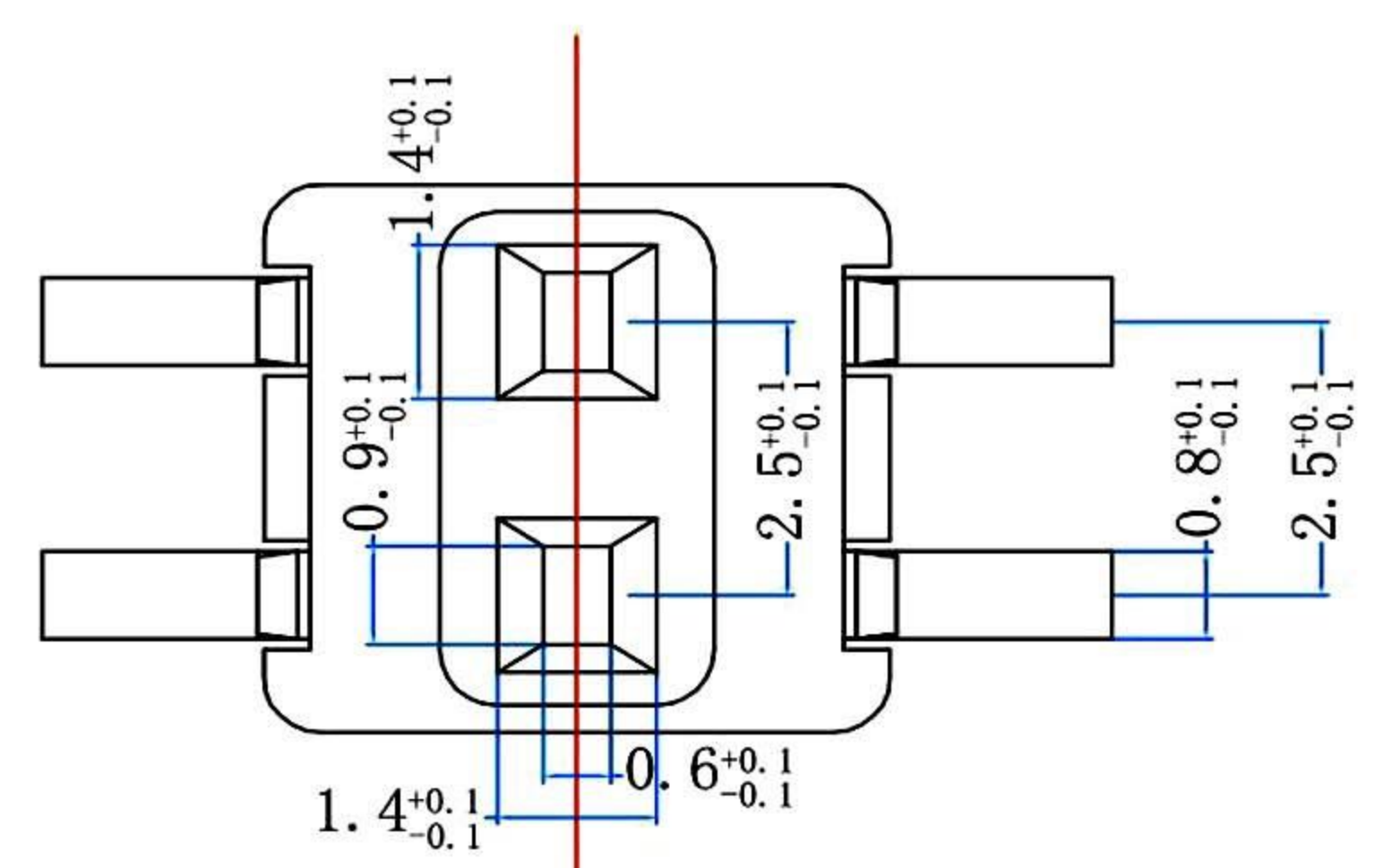


1 2 3 4 5 6 7 8

A
B
C
D
E
F
G
H

A
B
C
D
E
F
G
H



- NOTE:
1. PLASTIC MATERIAL: LCP
 2. TERMINAL MATERIAL : PHOSPHOR BRONZE
 3. FINISH : TIN PLATING
 4. WORKING TEMPERATURE : -40°C ~ +110°C
 5. VOLTAGE RATING : 250V, AC,DC
 6. CURRENT RATING : 2A AC DC
 7. CONTACT RESISTANCE : ≤20mΩ
 8. INSULATION RESISTANCE : ≥800mΩ
 9. WITHSTAND VOLTAGE : 1500V,AC/minute

RoHS
Compliant

APPD. 核准	SCALE 比例	TOLERANCE 容許公差
DWG. 製圖	UNIT 單位	.0 ± 0.30 .00 ± 0.20 ANG. ± 3°
DATE 制表日	PAGE 張數	SIZE. 紙張尺寸
2019/06/11	1 OF 1	A 4
Betty	REV. 版次	A

PART NAME 品名
2.5mm LED CONNECTOR 2PIN SMT TYPE
MATERIAL:PHOSPHOR BRONZE TIN
PLATING REEL PACKING BEIGE COLOR
(MATERIAL:LCP) ROHS

1 2 3 4 5 6 7 8