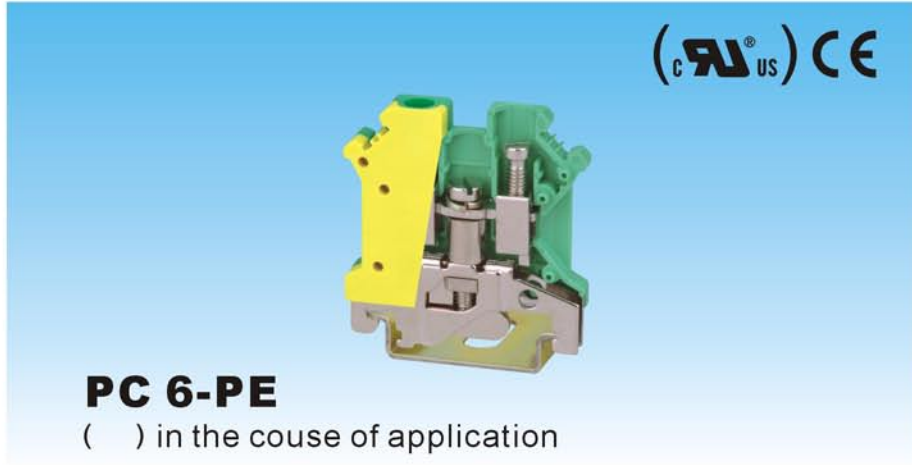


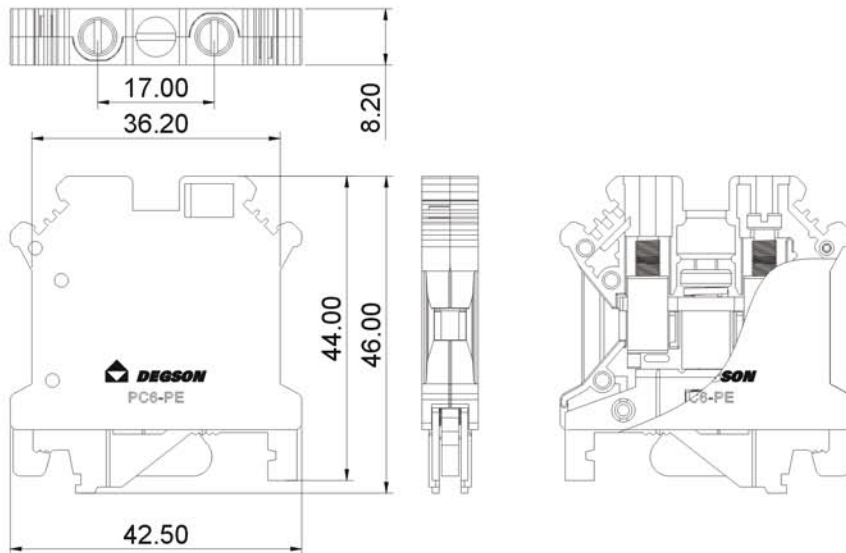


# DEGSON ELECTRONICS CO., LTD.

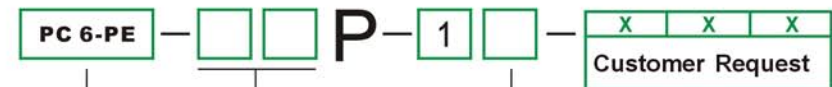
## Product Specification



| Specification                                   | Model                    | PCS                              |
|---|--------------------------|----------------------------------|
| (1) Ground Terminal Block                       | PC 6-PE                  | 50                               |
| (2) Zack Strip                                  | ZB 8                     |                                  |
| Thickness / Width                               | [mm]                     | 8.2 / 42.5 mm                    |
| Height<br>(NS35:7.5/NS35:15/NS32)               | [mm]                     | 47 / 54.5 / 52 mm                |
| Rated surge Voltage/Contaminatin class          | kV / -                   | 8kV / 3                          |
| Wire Size                                       | [mm <sup>2</sup> ] / AWG | 0.2-6 mm <sup>2</sup> / 24-8 AWG |
| Stripping Length                                | [mm]                     | 10 mm                            |
| Clamping Screw:Screw Thread / Tightening Torque | - / [Nm]                 | M4 / 1.5-1.8 Nm                  |
| Fixing Screw:Screw Thread / Tightening Torque   | - / [Nm]                 | M4 / 1.5-1.8 Nm                  |
| Internal Cylindrical Gage                       |                          | A5                               |
| Insulating Material / Inflammability Class      |                          | PA / V-0                         |



### HOW TO ORDER:



Series No. No. of Pole

Color

|         |          |                    |
|---------|----------|--------------------|
| 1 Gray  | 4 Green  | 7 Trans-<br>parent |
| 2 Blue  | 5 Orange | 8 Yellow           |
| 3 Black | 6 Red    | 9 White            |

|                            |   |
|----------------------------|---|
| <br>MM<br>(INCH)           | <br><b>DEGSON ELECTRONICS CO., LTD.</b> |
| <br>THIRD ANGLE PROJECTION | NAME<br><b>PC 6-PE</b>                  |