

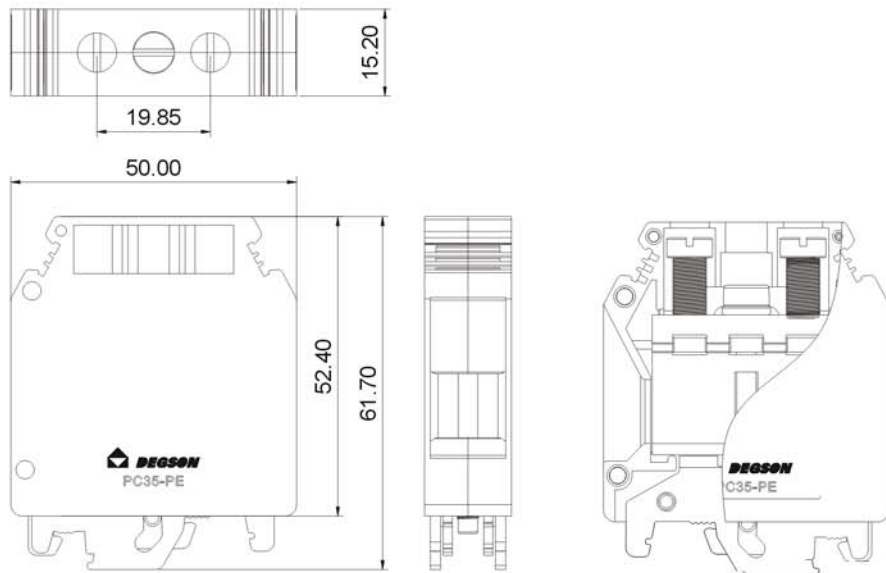


DEGSON ELECTRONICS CO., LTD.

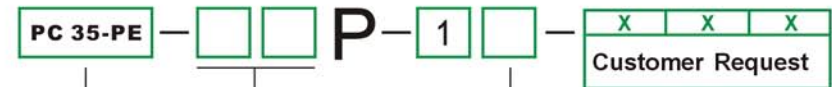
Product Specification



Specification	Model	PCS
(1) Ground Terminal Block	PC 35-PE	25
(2) Zack Strip	ZB 10	
Thickness / Width	[mm]	15.2 / 50 mm
Height (NS35:7.5/NS35:15/NS32)	[mm]	62 / 69.5 / 67 mm
Rated surge Voltage/Contaminatin class	kV / -	8kV / 3
Wire Size	[mm ²] / AWG	0.75-35 mm ² / 18-2 AWG
Stripping Length	[mm]	15 mm
Clamping Screw:Screw Thread / Tightening Torque	- / [Nm]	M6 / 3.2-3.7 Nm
Fixing Screw:Screw Thread / Tightening Torque	- / [Nm]	M5 / 2.5-3.0 Nm
Internal Cylindrical Gage		B9
Insulating Material / Inflammability Class		PA / V-0



HOW TO ORDER:



Series No. No. of Pole

Color

1 Gray	4 Green	7 Trans- parent
2 Blue	5 Orange	8 Yellow
3 Black	6 Red	9 White

	DEGSON ELECTRONICS CO., LTD.
 THIRD ANGLE PROJECTION	NAME PC 35-PE