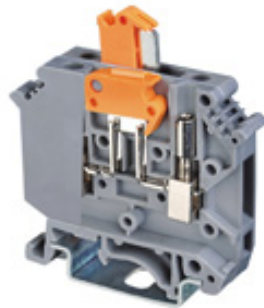
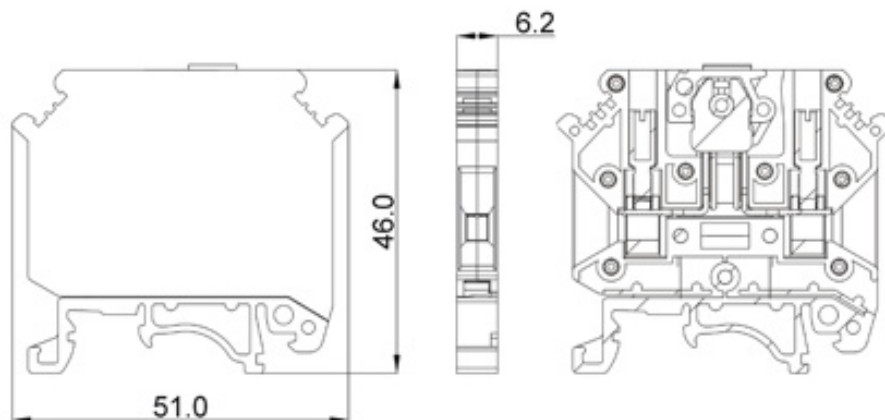


CE



PCMT 4



Capability

Approval		
Standard	UL	IEC
Rated Voltage	600V	800V
Rated Current	16A	16A
Wire size	24-12AWG	0.2-4mm ²
T/W/End plate	6.2/51/-mm	
Height _{mm} (NS35:7.5/NS35:15/NS32)	58.5/66/63.5mm	
Rated Surge Voltage/Contamination Class	6kV/3	
Stripping Length	8 mm	
Screw Thread/Tightening Torque	M3/0.5N.m/4.5Lb-in	
Internal Cylindrical Gage	A4	
Insulating Material/Inflammability Class	PAV-0	

Specification

Specification	Model	Pieces
(1) Knife Disconnect Terminal Block	PCMT4	50
(2) End Cover		
(3) Fixed Bridge	2-P 3-P 5-P 10-P	
(4) Step Bracket		
(5) Insertion Bridge	2-P 3-P 10-P	EBL 2-6 EBL 3-6 EBL 10-6
(6) Isolator Bridge Bar, 10 P		
(7) Bridge Bar Isolator		
(8) Switching Bridge		
(9) Separating Plate		
(10) Separating Plate, Width:1.5mm	ATP-PC 4-MTK	50
(11) Test Plug Socket		
(12) Test Plug Socket, Insulated		
(13) Zack Strip	ZB6	

HOW TO ORDER:

PCMT 4	—	□□ P	—	1 □	—	Customer Request									
Series No.		No. of Pole		Color											
				<table border="1"> <tr> <td>1 Gray</td> <td>4 Green</td> <td>7 Trans-parent</td> </tr> <tr> <td>2 Blue</td> <td>5 Orange</td> <td>8 Yellow</td> </tr> <tr> <td>3 Black</td> <td>6 Red</td> <td>9 White</td> </tr> </table>	1 Gray	4 Green	7 Trans-parent	2 Blue	5 Orange	8 Yellow	3 Black	6 Red	9 White		
1 Gray	4 Green	7 Trans-parent													
2 Blue	5 Orange	8 Yellow													
3 Black	6 Red	9 White													

MM
(INCH)



DEGSON ELECTRONICS CO., LTD.

NAME

PCMT 4