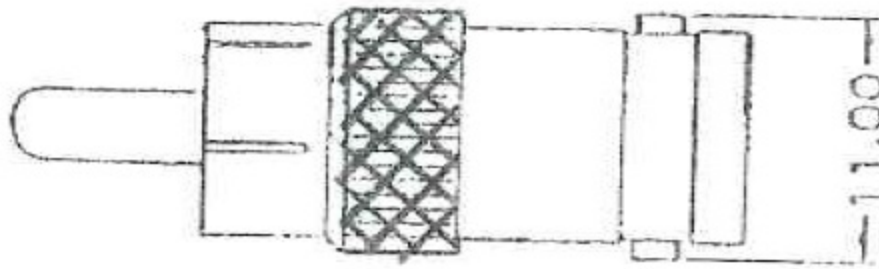
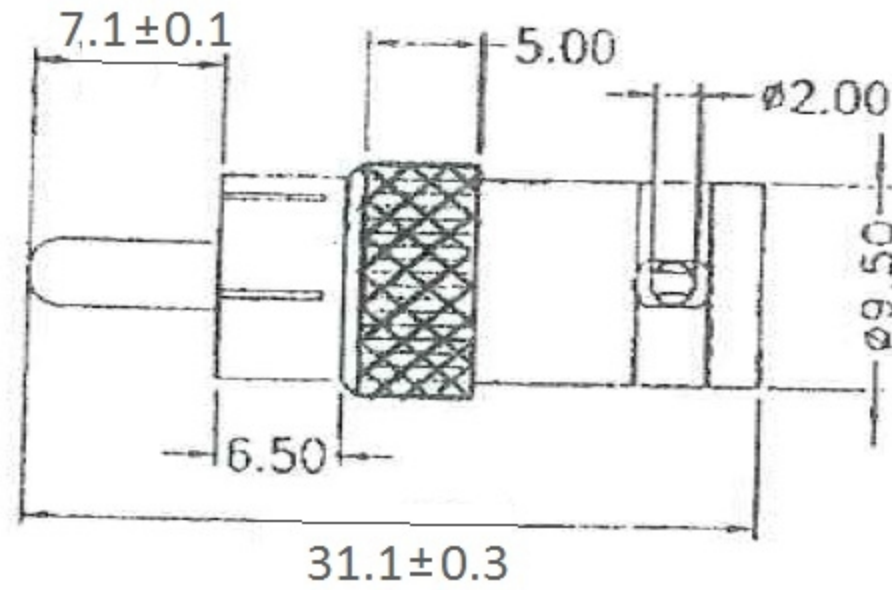


RCA PLUG



| | | | | |
|-----------|--------------------|-------------|-----------------|---------------|
| 3 | INSULATOR | 1 | DERLIN | WHITE |
| 2 | PIN | 1 | BRASS | NICKEL |
| 1 | BODY | 1 | BRASS | NICKEL |
| NO | Description | Q-ty | Material | Finish |



RCA602

**RCA MALE TO BNC FEMALE
ADAPTER**