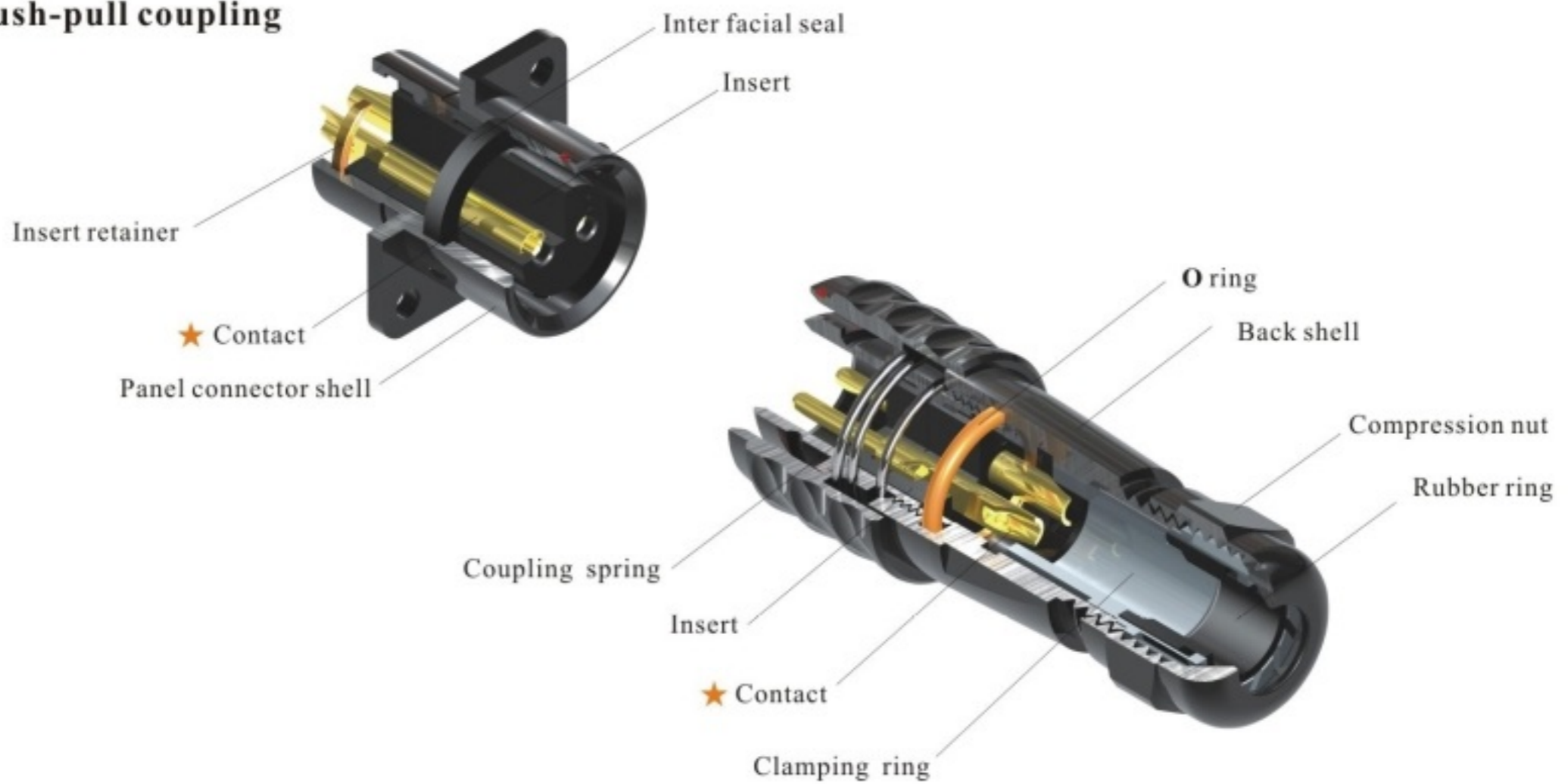


IP67



- SA Series IP67
- Push-pull coupling



★ Each side can be male or female contact

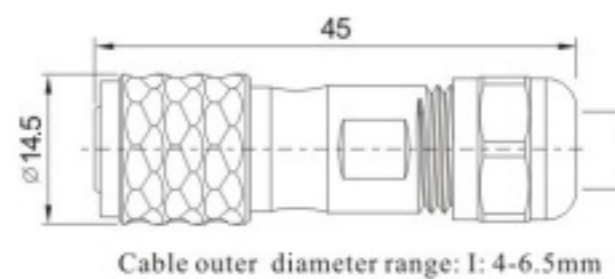
**Material and spec**

Coupling	Push-pull
Shell material	Anodized aluminium
Insert material	PPS, max temperature 260 °C
Contact material	Brass with gold plating
Termination	Solder: SA10, SA12, SA16, SA20, SA28 Crimp: SA16, SA20, SA28 Screw: SA20, SA28 (∅2.5, ∅3.5mm contact)
IP rating	IP67
Mating cycle	500
Temperature range	-40°C ~ +85°C
Insulation resistance (MΩ)	2000

**SA10 Series**



**Cable connector**  
Mate with SA1011, SA1012



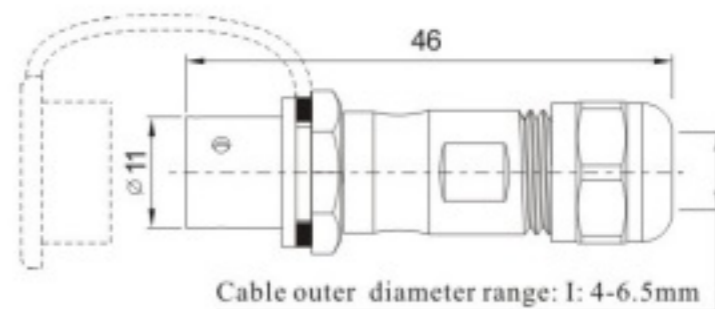
SA1010 / P — SA1010 / S

Number of contact  
Cable outer diameter: I: 4-6.5mm

Colour:  
B: Black  
S: Silver  
L: Blue  
G: Green  
R: Red } special order



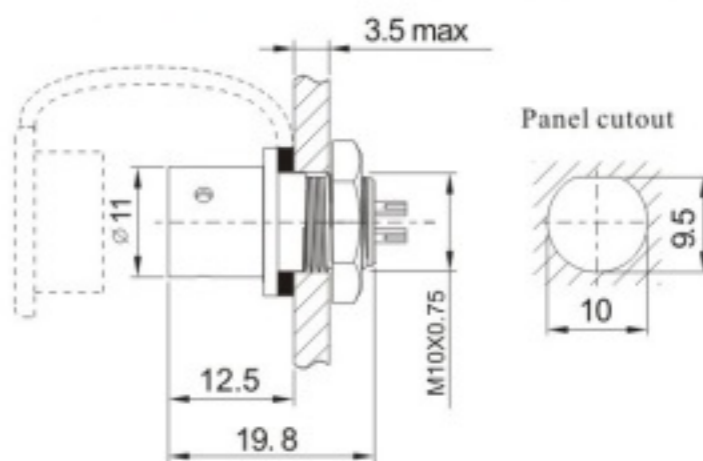
**In-line cable connector**  
Mate with SA1010



SA1011 / P — SA1011 / S



**Rear-nut mount**  
Mate with SA1010



SA1012 / P — SA1012 / S

Number of contact

Colour:  
B: Black  
S: Silver  
L: Blue  
G: Green  
R: Red } special order

**Solder contact spec**

Number of contact	2	3	4	5
Male contact face view				
Rated current (A)	5	5	3	3
Contact diameter (mm)	1	1	0.7	0.7
Rated voltage (AC.V)	180	180	125	125
Test voltage(AC.V) 1 min	1000	1000	1000	1000
Contact resistance (mΩ)	5	5	10	10
Wire size (mm <sup>2</sup> / AWG)	≤0.785/18	≤0.785/18	≤0.785/18	≤0.785/18



## ● SA10 Series Mating diagram

**In-line cable connector**  
Mate with SA1010



**Cable connector**  
Mate with SA1011, SA1012



**Rear-nut mount**  
Mate with SA1010



Number of contact  
Colour:  
B: Black  
S: Silver  
L: Blue  
G: Green  
R: Red } special order

Cable outer diameter: I: 4-6.5mm

Colour:  
B: Black  
S: Silver  
L: Blue  
G: Green  
R: Red } special order

**In-line cable connector**  
Mate with SA1010



**Cable connector**  
Mate with SA1011, SA1012



**Rear-nut mount**  
Mate with SA1010



Number of contact  
Colour:  
B: Black  
S: Silver  
L: Blue  
G: Green  
R: Red } special order

Cable outer diameter: I: 4-6.5mm

Colour:  
B: Black  
S: Silver  
L: Blue  
G: Green  
R: Red } special order

### Application

#### SA10

This state of the art, miniature IP67 waterproof connector is designed for any high-end products need a high-end connector to match with, such as medical devices, high-end equipments, testing or measuring equipments, communications, marine equipment etc., for data and power.