

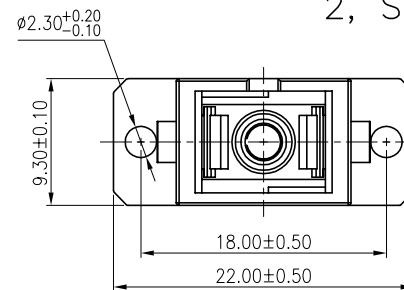
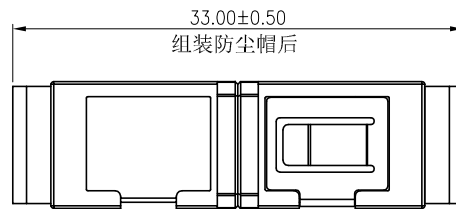
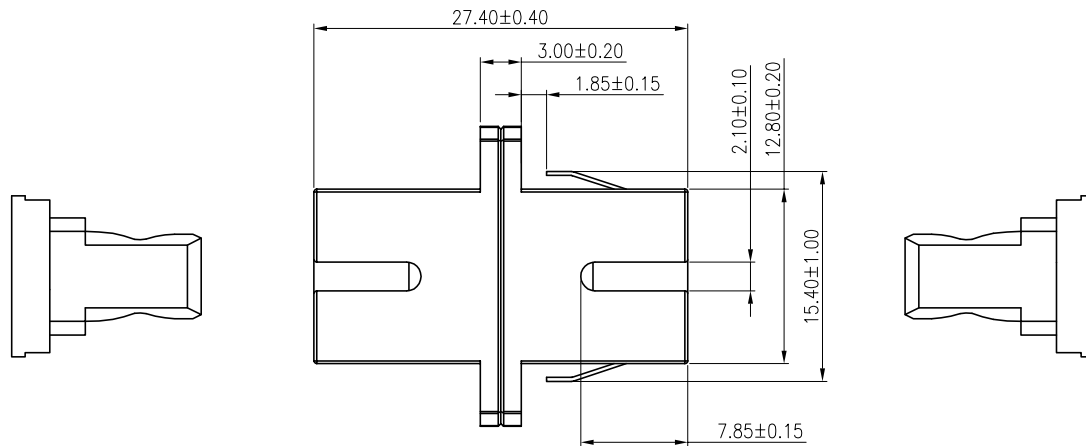
| REV. | ECN NO. | DESCRIPTION | DATE       | CHANGE   |
|------|---------|-------------|------------|----------|
| A0   | —       | NEW         | 2017.08.07 | Shaoping |

NOTE:  
Features:

- 1, Standards of IEC,EIA/TIA,Telcordia
- 2, Repeatability:  $\geq 500$
- 3, Insertion loss:  $\leq 0.2\text{dB}$
- 4, Interchangeability:  $\leq 0.2\text{dB}$
- 5, Repeatability:  $\leq 0.2\text{dB}$
- 6, Working temperature:  $-40^{\circ}\text{C}\sim+75^{\circ}\text{C}$
- 7, Storage Temperature:  $-40^{\circ}\text{C}\sim+85^{\circ}\text{C}$
- 8, High Reliability and Stability
- 9, RoHS Compliant.
- 10, Precision mechanical dimensions

Material

- 1, Housing: See table
- 2, Sleeve : Zirconia ceramic



|     |              |       |                      |        |
|-----|--------------|-------|----------------------|--------|
| 2   | 10790100W045 | SC/PC | Blue 2184C           | W/O    |
| 1   | 10790100W044 | SC/PC | Blue 2184C           | W/     |
| NO. | PART NUMBER  | Type  | Housing&Insert color | Spring |

**CZT**® SUZHOU YIHUA COMMUNICATED CONNECTOR CO., LTD.

|                 |                  |                  |      |       |          |        |               |      |           |
|-----------------|------------------|------------------|------|-------|----------|--------|---------------|------|-----------|
| X. $\pm 0.35$   | X.' $\pm 2'$     | UNIT:            | mm   | DR:   | shaoping | TITLE: | SC/PC ADAPTOR |      |           |
| X $\pm 0.30$    | .X' $\pm 1'$     | 3RD:             |      | DE:   | shaoping |        |               |      |           |
| .XX $\pm 0.20$  | .XX' $\pm 0.5'$  | SCALE:           | 1:1  | CHKD: |          | SHEET: | 1/1           | P/N: | SEE TABLE |
| .XXX $\pm 0.10$ | .XXX' $\pm 0.5'$ | CUSTOMER DRAWING | REV: | A0    | APPD:    | D/N:   | SZESF170813   | M/N: | —         |