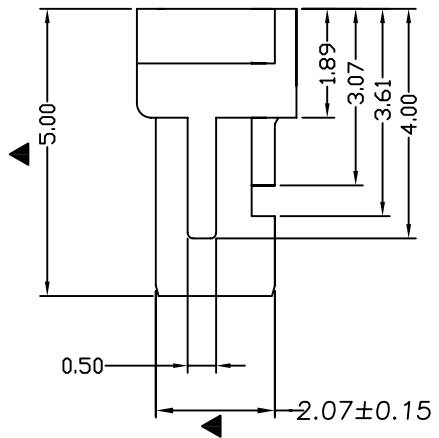


RoHS

REVISION DATE	
ITEM	DESCRIPTION
A	Issue
DATE	

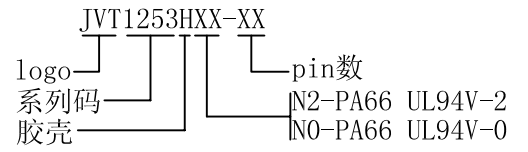
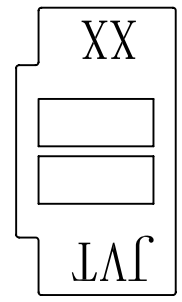
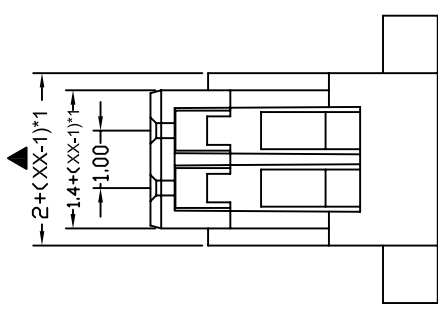
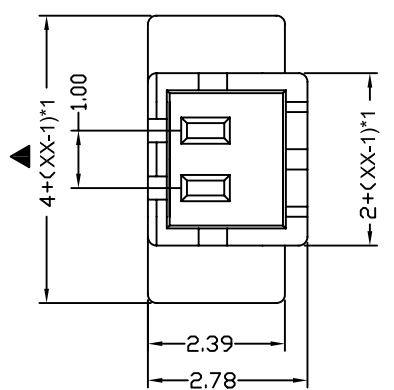
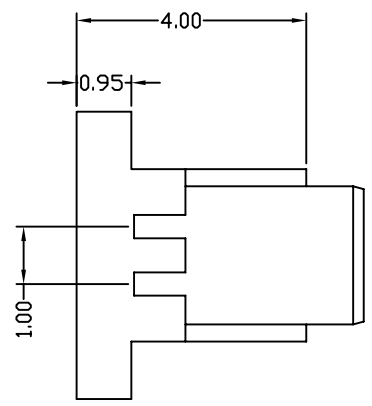


SPECIFICATIONS

- Voltage rating: 100V AC, DC
- Current rating: 1A, AC, DC
- Withstanding Voltage: 500V AC/minute
- Insulation resistance: 100MΩ min
- Temperature range: -25° C ~ +85° C
- Contact resistance: 20mΩ max

HOUSING

- Poles: 2-20
- Material: PA66-V0/V2
- Q'ty: 1000pcs/bag



投影 (PROJECT)		公差 (TOLERANCE)
单位 (UNIT)	mm	0 ±0.40
比例 (SCALE)	FIT	0.0 ±0.30
版本 (EDITION)	A	0.00 ±0.20
日期 (DATE)	2012 12 11	0.000 ±0.05

东莞市乔业电子有限公司
DONG GUAN CHYAO YEE (JVT) CONNECTORS CO., LTD.

绘图 (DRAWN)	TONY	品号 (PART NO)	JVT1253HXX-XX	页次 (PAGE)
审核 (CHECKED)	CHEN	图号 (DRAW NO)	031-1253-01	1/1
核准 (APPROVE)		品名 (NAME)	SH1.00mmHSG	