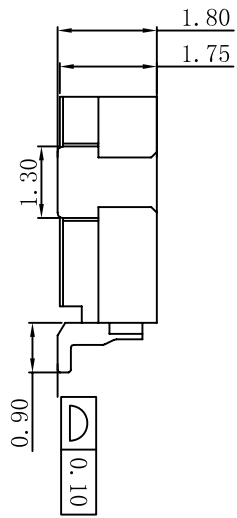
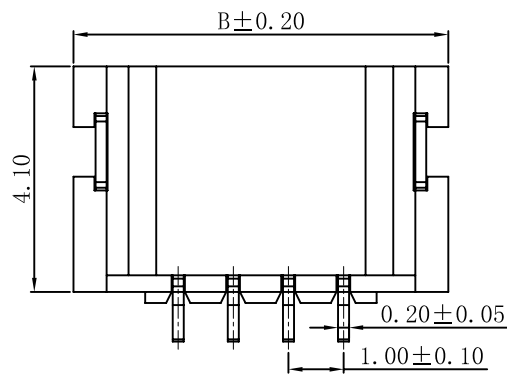
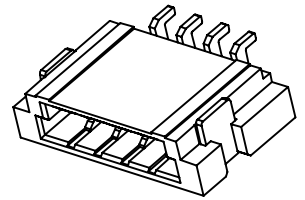
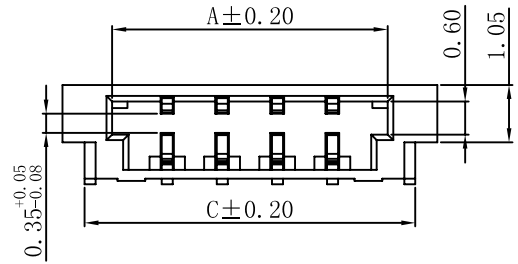


RoHS

REVISION DATE	
ITEM	DESCRIPTION
A	Issue
DATE	

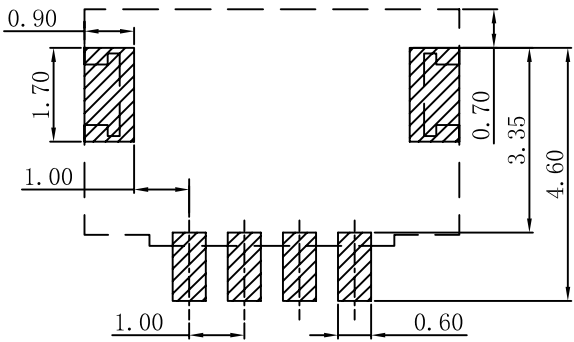
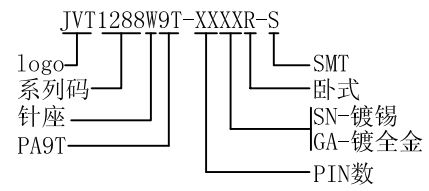


■ SPECIFICATION

- Voltage rating: 50 AC, DC
- Current Rating: 1A, AC, DC
- Withstand voltage: 500V AC/minute
- Contact resistance: 20mΩ max
- Insulation resistance: 100MΩ min
- Temperature range: -25° C ~ +85° C

■ WAFER

- Material: Base, PA9T UL94V-0
- Contact area, Phosphor bronze
- Tin-plated/Gold-plated
- Solder area, Phosphor bronze
- Tin-plated/Gold-plated



PCB LAYOUT

Poles	DIM			Poles	DIM		
	A	B	C		A	B	C
2	3.00	4.80	4.00	10	11.00	12.80	12.00
3	4.00	5.80	5.00	11	12.00	13.80	13.00
4	5.00	6.80	6.00	12	13.00	14.80	14.00
5	6.00	7.80	7.00	13	14.00	15.80	15.00
6	7.00	8.80	8.00	14	15.00	16.80	16.00
7	8.00	9.80	9.00	15	16.00	17.80	17.00
8	9.00	10.80	10.00	16	17.00	18.80	18.00
9	10.00	11.80	11.00	17	18.00	19.80	19.00

投影 (PROJECT)		公差 (TOLERANCE)
单位 (UNIT)	mm	0 ±0.40
比例 (SCALE)	FIT	0.0 ±0.30
版本 (EDITION)	A	0.00 ±0.20
日期 (DATE)	2013 08 14	0.000 ±0.05

东莞市乔业电子有限公司
DONG GUAN CHYAO YEE (JVT) CONNECTORS CO., LTD.

绘图 (DRAWN)	TONY	品 号 (PART NO)	JVT1288W9T-XXXXR-S	页 次 (PAGE)	
审核 (CHECKED)	CHEN	图 号 (DRAW NO)	054-1288-01		1/1
核准 (APPROVE)		品 名 (NAME)	SHLP 1.0mm WAFER		