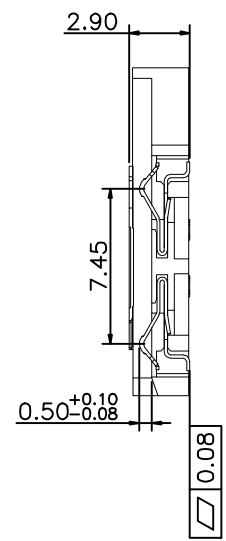
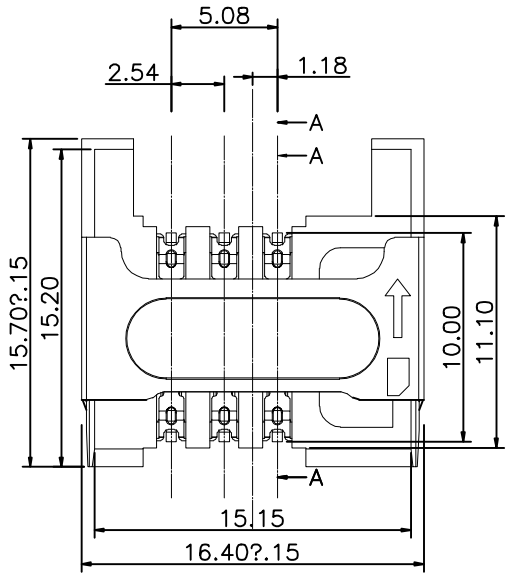
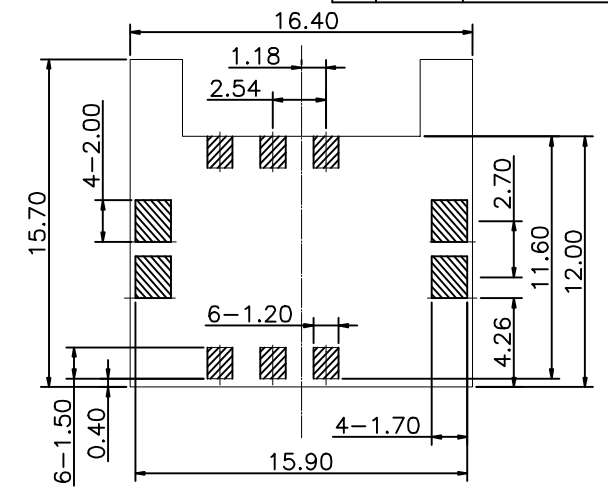


REV.	ECN.NO.	MODIFY.CONTENT	DATE
A		NEW	2011/10/31



SECTION A-A

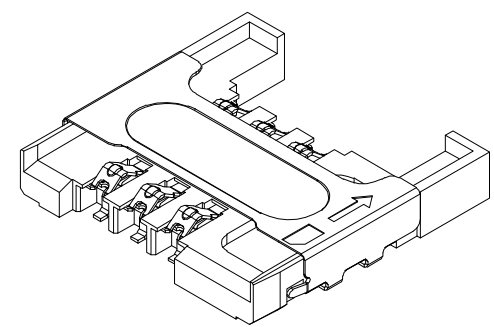
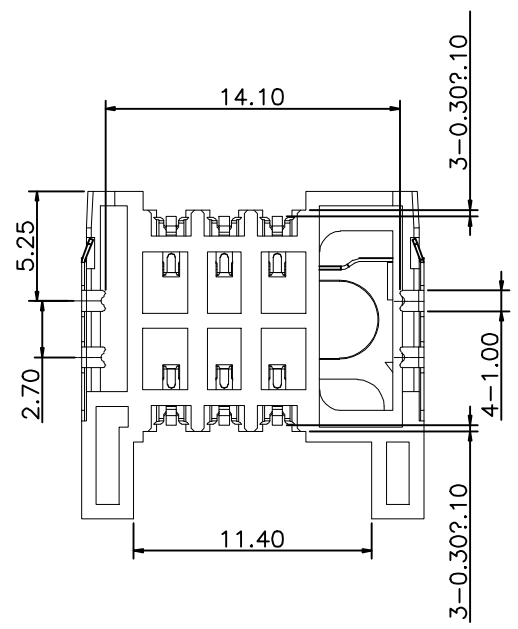
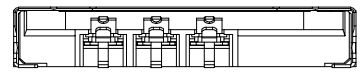


RECOMMENDED PCB LAYOUT TOL:(±0.05)

- NOTES:
- MATERIAL:  
HOUSING: COP, GLASS FILLED, UL94V-0  
CONTACT: PHOSPHOR BRONZE, T=0.15mm  
SHELL: STAINLESS STEEL, T=0.15mm
  - FINISH:  
CONTACT: 40-150u" UNDER PLATING ALL OVER  
GOLD FLASH 1u" MIN ALL OVER  
SHELL: SELECTIVE GOLD FLASH IN SOLDER TAIL AREA  
UNDERPLATING 40-150u" NICKEL OVERALL

3. PART NO.

ASMF S 290 AXX B R 036  
 SMT TYPE  
 APPEARANCE  
 PACK  
 R: TAPE REEL  
 COLOR  
 B: BLACK  
 CONTACT PLATED  
 01: Au1u"  
 03: Au3u"  
 05: Au5u"  
 10: Au10u"



GENERAL TOLERANCE		DWG NO.	LZA0312-001	APPD:	WIND	Scale	1:1
X.±0.45	x.±5'	Title	SIM CARD 6P 2.9H	CHKD:		UNIT	mm
.X±0.35	.x'±2'		<b>连桥 有档</b>	DR:			
.XX±0.25	.xx'±1'	Part NO.	ASMFS290A01BR036	Date	2013/02/29		
.XXX±0.15	.xxx'±0.5'						
SHEET	1/1		<b>东莞市捷圣泰电子科技有限公司</b> <b>Dongguan JASSTA Electronics Co.,LTD</b>				