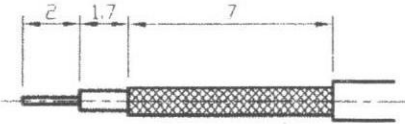
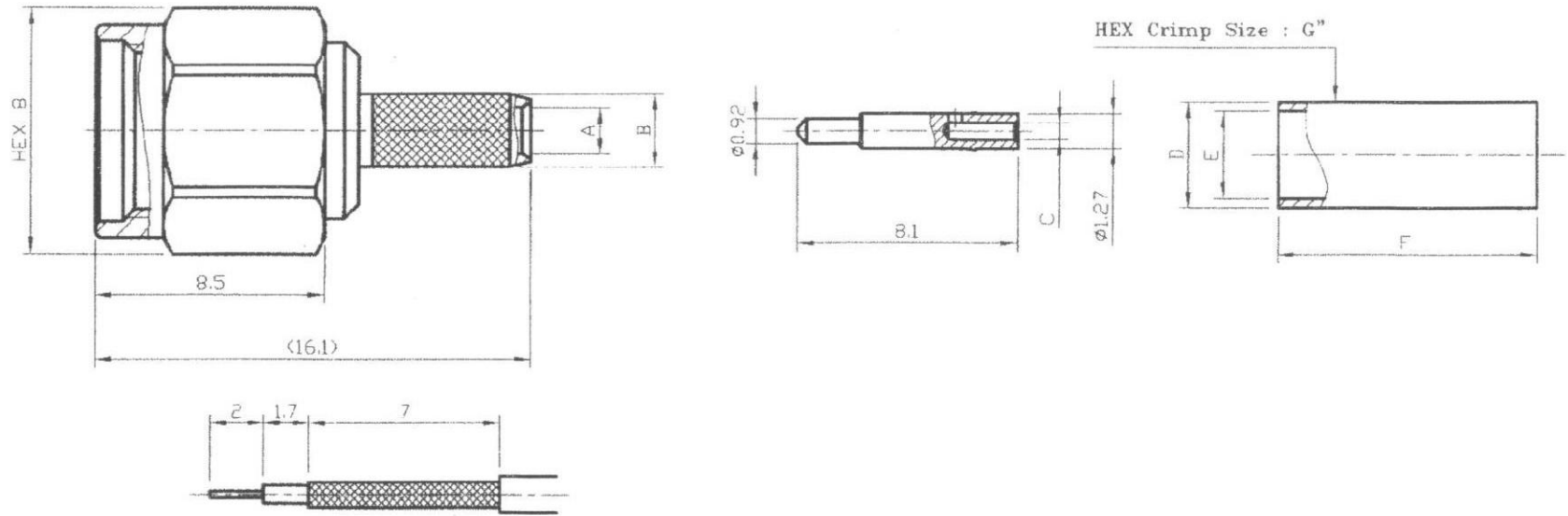



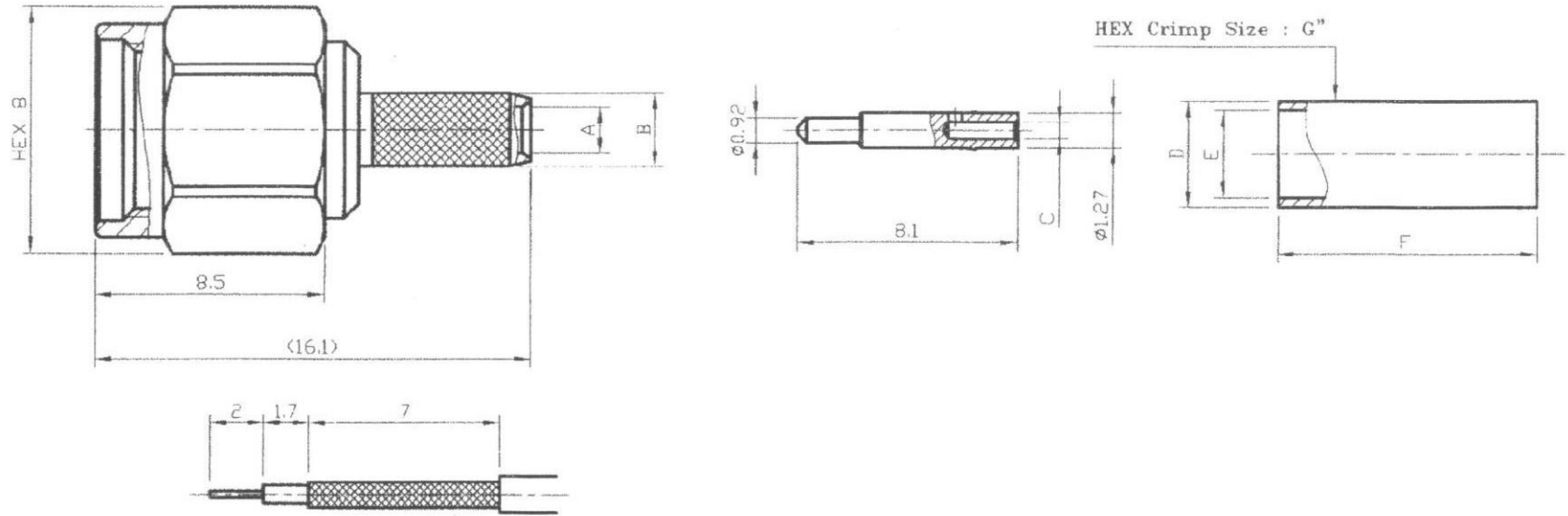
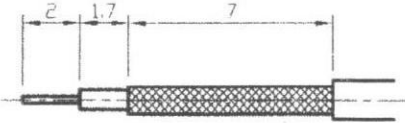






NOMINAL IMPEDANCE: 50Ω
 FREQUENCY RANGE: DC 0 ~ 6GHz
 VSWR: 1.5 MAX



RECOMMENDED STRIP LENGTHS

07	FERRULE	BRASS	1	GOLD
06	CENTER PIN	BRASS	1	GOLD
05	BODY	BRASS	1	GOLD
04	INSULATOR	TEFLON	1	
03	INNER RETAINING RING	STAINLESS	1	
02	GASKET	SILICONE	1	RED
01	SHELL	BRASS	1	GOLD
NO	DESCRIPTION	MATERIAL	Q'TY	FINISH ITEM

R&D			SMA910 版本 A
APPROVED			
TOLERANCES	±0.1		
圖紙比例 SCALE	4:1	P/N	
ALL DIMENSION IN MM (UNLESS OTHERWISE SPECIFIED)		TITLE	SMA , Plug Crimp For ___ Cable
		RoHS COMPLIANT	
		UNIT WEIGHT: 2.90 g	

	1	2	3	4	5	6	7	8																																																																																		
A	NOMINAL IMPEDANCE: 50Ω FREQUENCY RANGE: DC 0 ~ 6GHz VSWR: 1.5 MAX								A																																																																																	
B									B																																																																																	
C									C																																																																																	
D	RECOMMENDED STRIP LENGTHS								D																																																																																	
E	<table border="1"> <tr> <td>07</td> <td>FERRULE</td> <td>BRASS</td> <td>1</td> <td>GOLD</td> <td></td> <td></td> <td></td> <td></td> </tr> <tr> <td>06</td> <td>CENTER PIN</td> <td>BRASS</td> <td>1</td> <td>GOLD</td> <td></td> <td></td> <td></td> <td></td> </tr> <tr> <td>05</td> <td>BODY</td> <td>BRASS</td> <td>1</td> <td>GOLD</td> <td></td> <td></td> <td></td> <td></td> </tr> <tr> <td>04</td> <td>INSULATOR</td> <td>TEFLON</td> <td>1</td> <td></td> <td></td> <td></td> <td></td> <td></td> </tr> <tr> <td>03</td> <td>INNER RETAINING RING</td> <td>STAINLESS</td> <td>1</td> <td></td> <td></td> <td></td> <td></td> <td></td> </tr> <tr> <td>02</td> <td>GASKET</td> <td>SILICONE</td> <td>1</td> <td>RED</td> <td></td> <td></td> <td></td> <td></td> </tr> <tr> <td>01</td> <td>SHELL</td> <td>BRASS</td> <td>1</td> <td>GOLD</td> <td></td> <td></td> <td></td> <td></td> </tr> <tr> <td>NO</td> <td>DESCRIPTION</td> <td>MATERIAL</td> <td>Q'TY</td> <td>FINISH</td> <td>ITEM</td> <td></td> <td></td> <td></td> </tr> <tr> <td></td> <td>1</td> <td>2</td> <td>3</td> <td>4</td> <td>5</td> <td>6</td> <td>7</td> <td>8</td> </tr> </table>								07	FERRULE	BRASS	1	GOLD					06	CENTER PIN	BRASS	1	GOLD					05	BODY	BRASS	1	GOLD					04	INSULATOR	TEFLON	1						03	INNER RETAINING RING	STAINLESS	1						02	GASKET	SILICONE	1	RED					01	SHELL	BRASS	1	GOLD					NO	DESCRIPTION	MATERIAL	Q'TY	FINISH	ITEM					1	2	3	4	5	6	7	8	E
07	FERRULE	BRASS	1	GOLD																																																																																						
06	CENTER PIN	BRASS	1	GOLD																																																																																						
05	BODY	BRASS	1	GOLD																																																																																						
04	INSULATOR	TEFLON	1																																																																																							
03	INNER RETAINING RING	STAINLESS	1																																																																																							
02	GASKET	SILICONE	1	RED																																																																																						
01	SHELL	BRASS	1	GOLD																																																																																						
NO	DESCRIPTION	MATERIAL	Q'TY	FINISH	ITEM																																																																																					
	1	2	3	4	5	6	7	8																																																																																		
F	<table border="1"> <tr> <td>R&D</td> <td></td> <td rowspan="3">  </td> <td rowspan="3"> SMA910 版本 A </td> </tr> <tr> <td>APPROVED</td> <td></td> </tr> <tr> <td>TOLERANCES</td> <td>±0.1</td> </tr> <tr> <td>圖紙比例 SCALE</td> <td>4:1</td> <td>P/N</td> <td></td> </tr> <tr> <td>ALL DIMENSION IN MM (UNLESS OTHERWISE SPECIFIED)</td> <td>  </td> <td>TITLE</td> <td>SMA , Plug Crimp For ___ Cable</td> </tr> <tr> <td></td> <td></td> <td colspan="2"> RoHS COMPLIANT </td> </tr> <tr> <td></td> <td></td> <td colspan="2"> UNIT WEIGHT: 2.90 g </td> </tr> </table>								R&D			SMA910 版本 A	APPROVED		TOLERANCES	±0.1	圖紙比例 SCALE	4:1	P/N		ALL DIMENSION IN MM (UNLESS OTHERWISE SPECIFIED)		TITLE	SMA , Plug Crimp For ___ Cable			RoHS COMPLIANT				UNIT WEIGHT: 2.90 g		F																																																									
R&D			SMA910 版本 A																																																																																							
APPROVED																																																																																										
TOLERANCES	±0.1																																																																																									
圖紙比例 SCALE	4:1	P/N																																																																																								
ALL DIMENSION IN MM (UNLESS OTHERWISE SPECIFIED)		TITLE	SMA , Plug Crimp For ___ Cable																																																																																							
		RoHS COMPLIANT																																																																																								
		UNIT WEIGHT: 2.90 g																																																																																								