

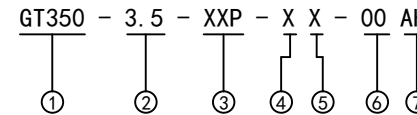
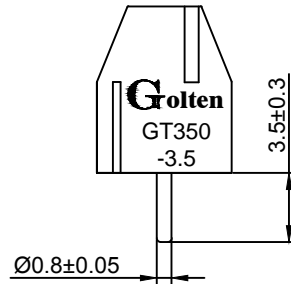
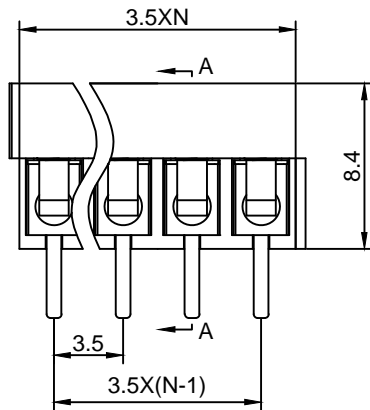
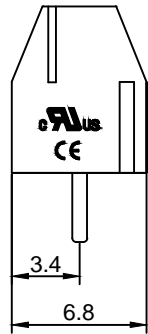
Material :

- (a) Housing : PA66(UL94V-0)
- (b) Screws : Steel , Cr³⁺Zn Plated
- (c) Wire Guard : Phosphor Bronze
- (d) Pin Header : Brass , Tin Plated

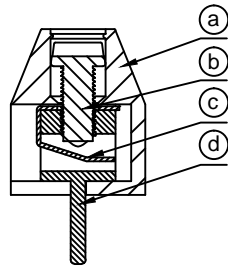
Electrical :

- | | | |
|------------------------------|----------------|------------------------|
| | UL | IEC |
| 1.Rated Voltage : | 300V | 130V |
| 2.Rated Current : | 7A | 10A |
| 3.Torque Value : | M2 , 1.77Lb.in | M2 , 0.2N.m |
| 4.Wire Range: | 24-18AWG | 0.5-1.0mm ² |
| 5.Stripping Length : | 5mm | |
| 6.Withstanding Voltage : | AC1250V/1Min. | |
| 7.Operating Temperature : | -40 °C~+105 °C | |
| 8.RoHS Compliance | | |
| 9.Safety Approval | | |
| 10.Undimensioned Tolerances: | | |

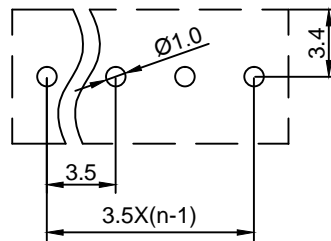
Pitch Range In mm		Nominal Dimension Range In mm					—	∩	∇
≤6	6 ~ 10	10 ~ 24	≤30	30 ~ 60	60 ~ 100	100 ~ 150	>150	0.05/10	
±0.10	±0.15	±0.25	±0.20	±0.30	±0.50	±0.70	±1.00	±0.1°	



- ① Series No.
- ② Pitch
- ③ Poles
02 02Contacts
03 03Contacts
...
24 24Contacts
- ④ 1 Single Pitch
2 Double Pitch
- ⑤ Color: 1 Grey
2 Blue
3 Black
4 Green(Standard For AH)
5 Orange
6 Red
7 Transparent
8 Yellow
9 White
- ⑥ Customer Request : 00--Standard
- ⑦ AH--Standard(PA66)



A-A



DETACHED LISTS	Grolten		宁波冠泰电子有限公司 NINGBO GOLTEN ELECTRONICS CO., LTD.	
	APPD: MA_8/8/16'	CHKD: Yu_8/7/16'	PART NO. GT350-3.5-XXP-XX-00AH	
	DRFT: Chen_8/6/16'	DRAWING NO.		REV 1
	 THIRD ANGLE PROJECTION		MM (INCH)	DO NOT SCALE DRAWING
		SCALE	1/1	