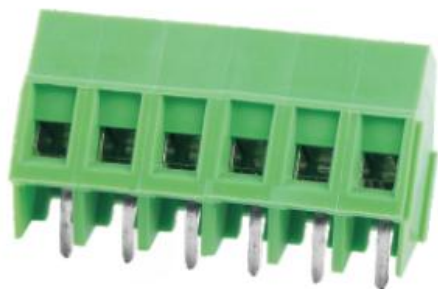


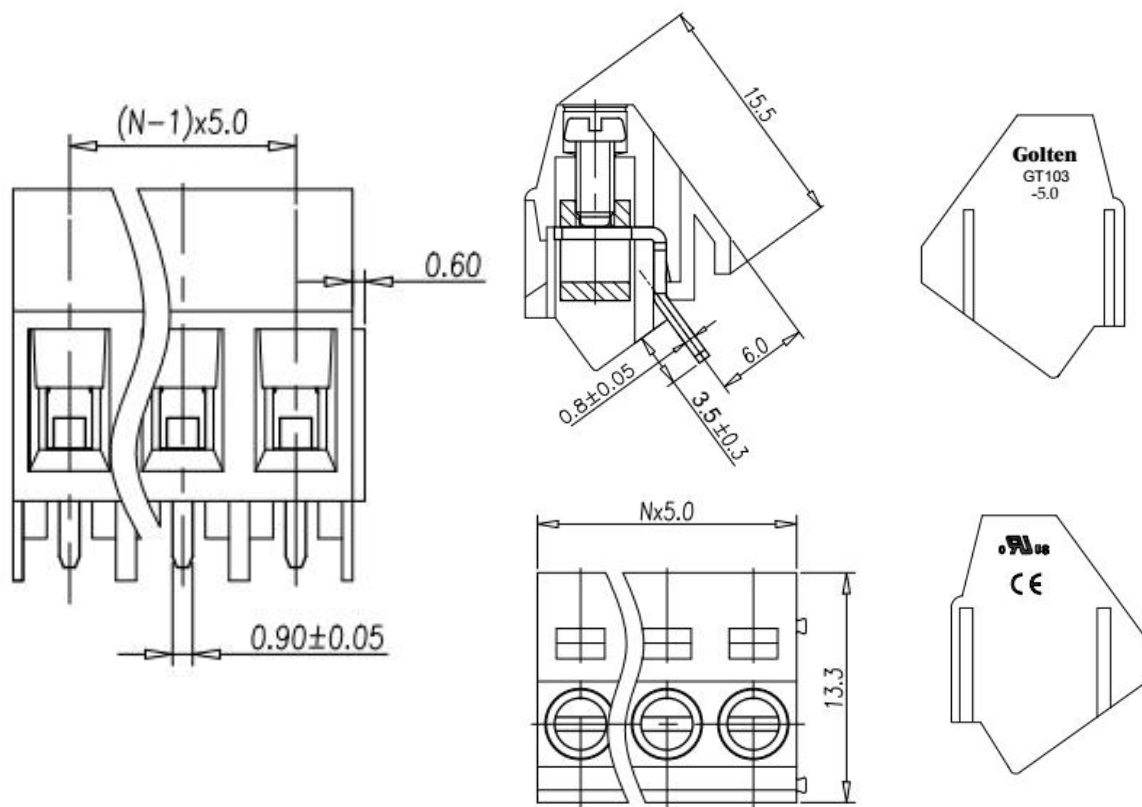
APPROVALS:   RoHS    (submitted)



## PART NO.:GT103-5.0

- PCB Screw Terminal Block
- Nominal Current(UL): 10A
- Rated Voltage(UL): 300V
- Number of Positions: 2P,3P-24P
- Standard Color: Green
- Connection Method: Screw Connection

## DRAWINGS:



**TECHINICAL DATA:**

Electrical		
Standard	UL	IEC
Rated voltage	300V	250V
Rated Current	10A	24A
Wire Range	24-12AWG	2.5mm <sup>2</sup>
Withstanding voltage	AC2000V/1Min	
Mechanical		
Torque	4.08kgf.cm	
Operation temperature	-40°C~+105°C	
Strip length	7mm	
Dimensions		
Pitch	5.0 mm	
Poles	2P,3P-24P	
Material		
Housing	PA66, UL94V-0	
Screws	M2.5,steel, Cr <sup>3+</sup> Zn plated	
Cage	Brass, Ni plated	
Pin header	Brass, SnCe plated	

**APPLICATION:**

Elevator, Industry, Security, Instrument, Machinery, Communication, Lighting, Construction, Electrical