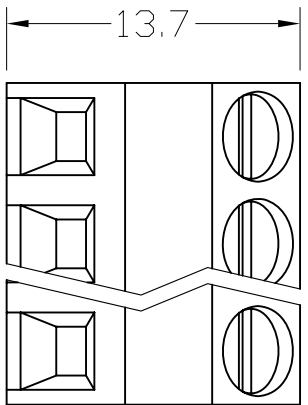
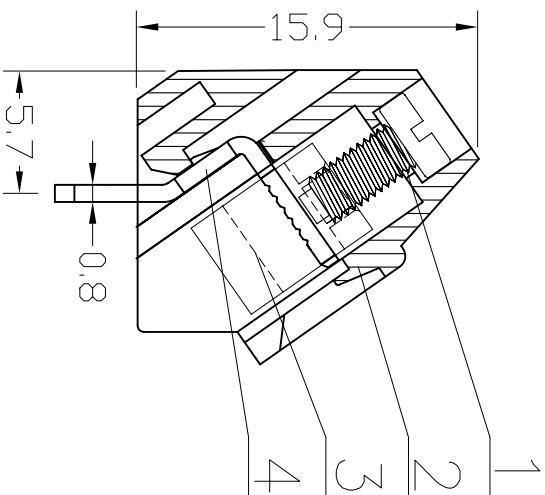
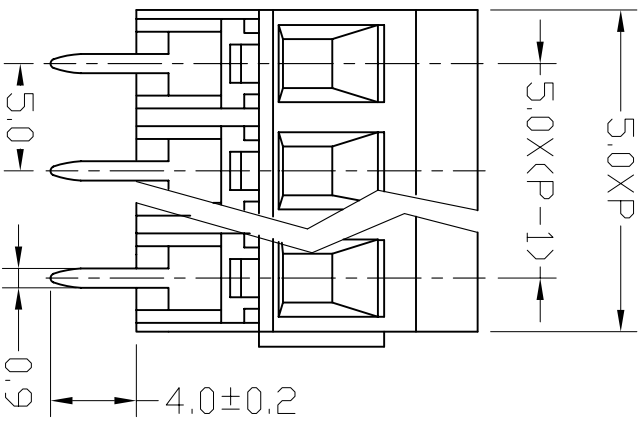


序号/rev. No.	名称/title	文件编号/file No.
1	XY103一字螺丝	
2	XY103塑件	
3	XY103端子块 (含XY103端子及其册)	
4	XY103端子	



Poles: 2P&3P
Pitch: 5.0mm
Voltage Rating: 250V
Current Rating: 10A
Wire range: 24-12AWG 2.5mm²
Housing: PA66(UL 94V-0)
Solder Pin: Brass, Tin Plated
Screw: M2.5, Steel(A3), Zinc Plated
Torque: 0.4N.m

序号/rev. No.	更改记录/revision note	签名/signature	日期/date
设计/Designed by		绘图/Drawing by	审核/Checked by
XINLAIYA ELECTRONIC CO.,LTD		新莱亚电子	XY103(铜方块)
文件编号/File No.		页序/Sheet	备注/Remark
X ±0.2		X' ±2'	未注公差 General Tolerance
X ±0.1		X' ±1'	
.XX ±0.05		.XX' ±0.5	
XXX ±0.01			
单位/units		mm	