

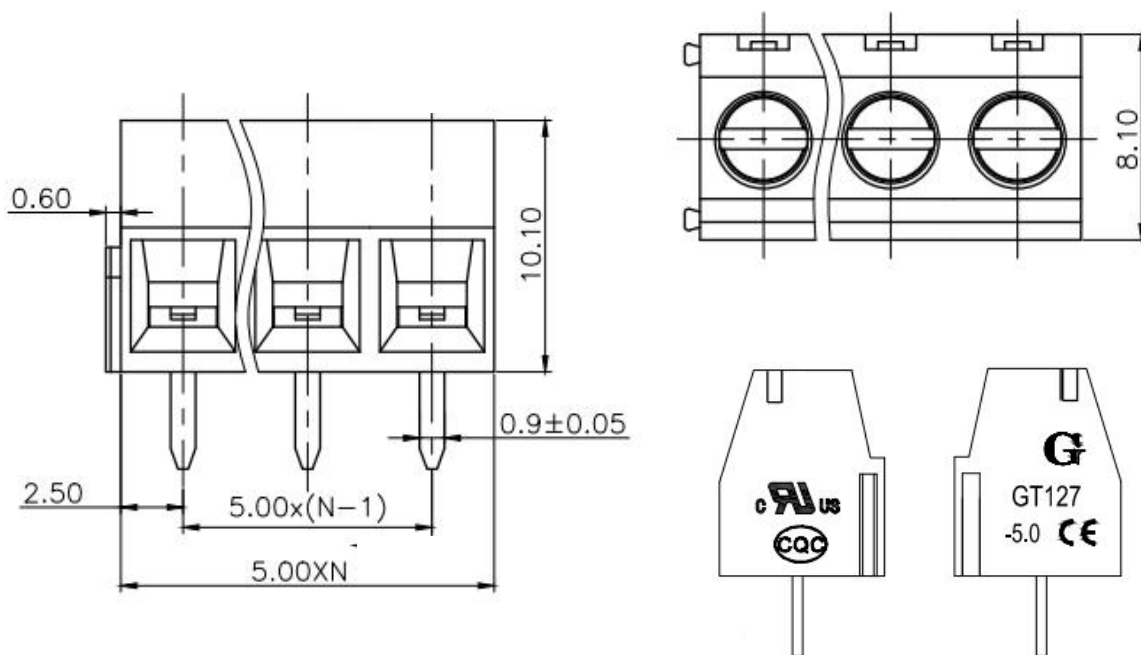
APPROVALS: c  us  RoHS    (submitted)



PART NO.:GT127-5.0

- PCB Screw Terminal Block
- Nominal Current(UL): 12A
- Rated Voltage(UL): 300V
- Number of Positions: 2P,3P-24P
- Standard Color: Green
- Connection Method: Screw Connection

DRAWINGS:



TECHINICAL DATA:

Electrical		
Standard	UL	IEC
Rated voltage	300V	250V
Rated Current	12A	15A
Wire Range	26-14AWG	1.5mm ²
Withstanding voltage	AC2000V/1Min	
Mechanical		
Torque	4.08kgf.cm	
Operation temperature	-40°C~+105°C	
Strip length	6mm	
Dimensions		
Pitch	5.0 mm	
Poles	2P,3P-24P	
Material		
Housing	PA66, UL94V-0	
Screws	M2.5,steel, Cr ³⁺ Zn plated	
Cage	Brass, Ni plated	
Pin header	Brass, SnCe plated	

APPLICATION:

Elevator, Industry, Security, Instrument, Machinery, Communication, Lighting, Construction, Electrical