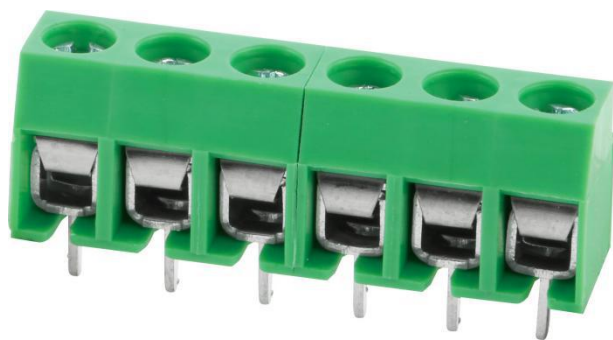


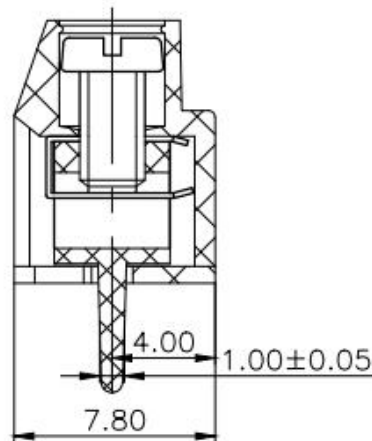
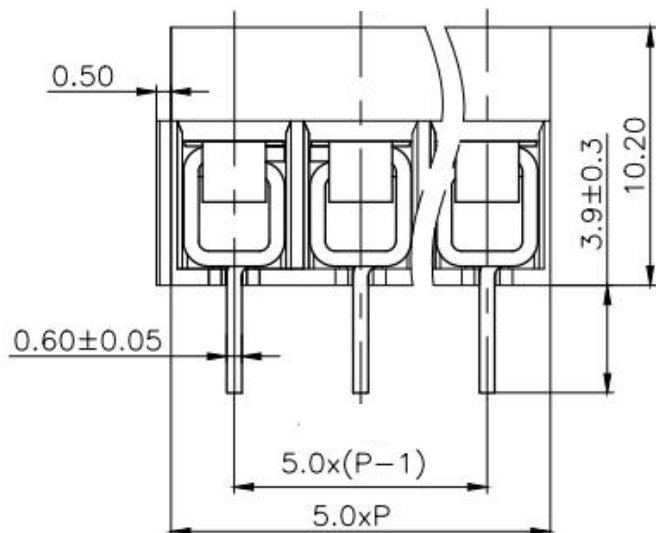
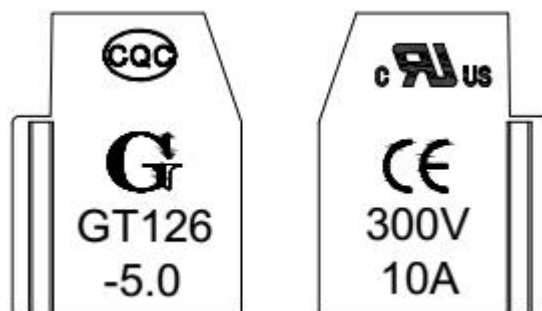
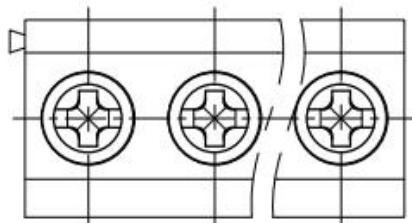
APPROVALS: cUL^{us} CE RoHS SGS CQC DVE (submitted)



PART NO.:GT126-5.0

- PCB Screw Terminal Block,
- Nominal Current(UL): 10A
- Rated Voltage(UL): 300V
- Number of Positions: 2P,3P-24P
- Standard Color: Green
- Connection Method: Screw Connection

DRAWINGS:



TECHINICAL DATA:

Electrical		
Standard	UL	IEC
Rated voltage	300V	250V
Rated Current	10A	18A
Wire Range	28-12AWG	2.5mm ²
Withstanding voltage	AC1500V/1Min	
Mechanical		
Torque	4.08kgf.cm	
Operation temperature	-40°C~+105°C	
Strip length	5mm	
Dimensions		
Pitch	5.0mm	
Poles	2P,3P-24P	
Material		
Housing	PA66,UL94V-0	
Screws	M2.5,steel,Cr ³⁺ Zn plated	
Wire guard	Stainless steel	
Pin header	Brass,SnCe plated	

APPLICATION:

Elevator, Industry, Security, Instrument, Machinery, Communication, Lighting, Construction, Electrical