

XY705V-7.5

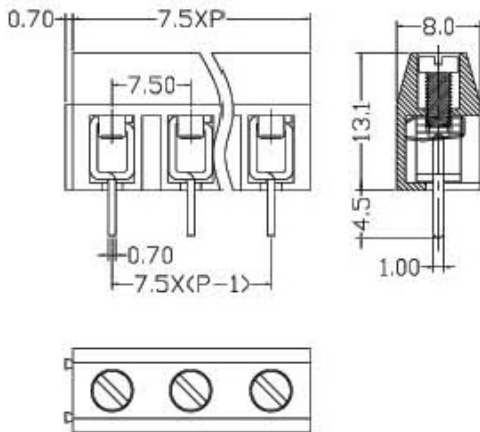


Dimensions

Poles: 2P,3P-24P
Pitch: 7.5mm(.295")

Electrical

Standard:	UL	IEC
Voltage Rating:	300V	250V
Current Rating:	15A	20A
Wire range:	22-14AWG	2.5mm ²
Withstand voltage	AC2000V/Min	



Mechanical

Torque: 0.4N.m(3.5Lb-In.)
Ambient temperature: -30°C~+120°C
Strip length: 5-6mm

Material

Housing: PBT(UL 94V-0)
Wire guard: Stainless Steel
Pin header: Brass, Tin Plated
Screw: M2.5, steel, A3 Zn plated