



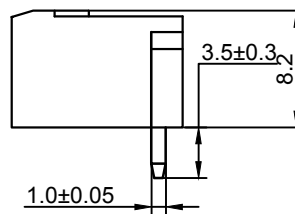
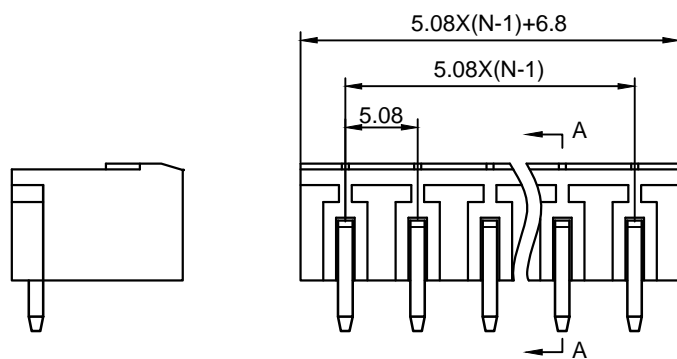
Material :

- Ⓐ Housing : PA66(UL94V-0)
- Ⓑ Pin Header : Brass , Tin Plated

Electrical :

- 1. Rated Voltage : 300V UL IEC
- 2. Rated Current : 15A 320V 20A
- 3. Withstanding Voltage : AC1600V/1Min.
- 4. Operating Temperature : -40°C~+105°C
- 5. RoHS Compliance
- 6. Safety Approval :
- 7. Undimensioned Tolerances:

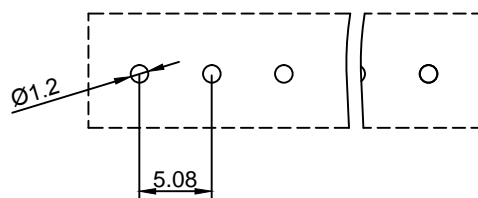
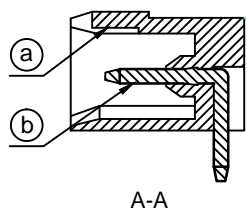
Pitch Range In mm			Nominal Dimension Range In mm					—	∩	∇
≤6	6 ~ 10	10 ~ 24	≤30	30 ~ 60	60 ~ 100	100 ~ 150	>150	0.05/10		
±0.10	±0.15	±0.25	±0.20	±0.30	±0.50	±0.70	±1.00	±0.1°		



2EGTRC - 5.08 -XXP - X X - XX AH

① ② ③ ④ ⑤ ⑥ ⑦

- ① Series NO.
- ② Pitch
- ③ Poles
02 02Contacts
03 03Contacts
...
24 24Contacts
- ④ 1 Single Pitch
2 Double Pitch
- ⑤ Color: 1 Grey
2 Blue
3 Black
4 Green(Standard For AH)
5 Orange
6 Red
7 Transparent
8 Yellow
9 White
- ⑥ Customer Request: 00--Standard
- ⑦ AH--Standard(PA66)



DETACHED LISTS	Golten 宁波冠泰电子有限公司 NINGBO GOLTEN ELECTRONICS CO., LTD.	
	APPD: MA_4/11/16'	PART NO. 2EGTRC-5.08-XXP-XX-00AH
	CHKD: Yu_4/10/16'	
	DRFT: Chen_4/9/16'	
	THIRD ANGLE PROJECTION	
	MM (INCH)	DO NOT SCALE DRAWING