

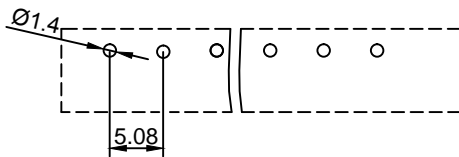
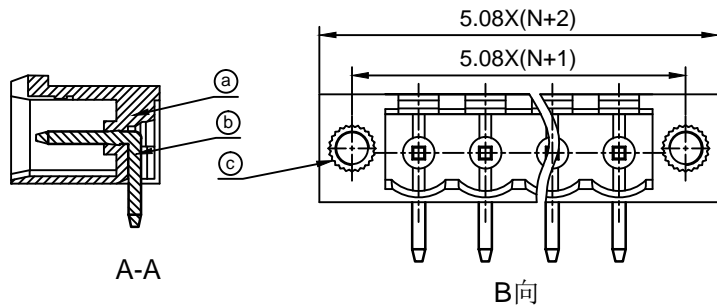
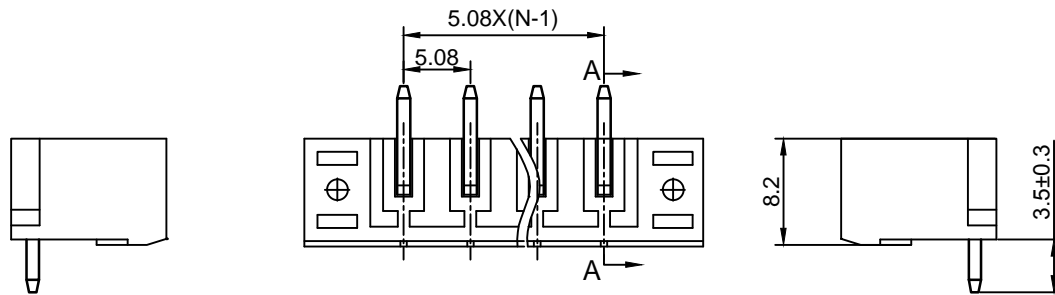
**Material :**

- (a) Housing : PA66(UL94V-0)
- (b) Pin Header : Brass , Tin Plated
- (c) Nut : Brass

**Electrical :**

- 1. Rated Voltage : 300V UL IEC
- 2. Rated Current : 15A 320V 20A
- 3. Withstanding Voltage : AC1600V/1Min.
- 4. Operating Temperature : -40°C~+105°C
- 5. RoHS Compliance
- 6. Safety Approval :
- 7. Undimensioned Tolerances:

Pitch Range In mm			Nominal Dimension Range In mm					—	∩	∇
≤6	6 ~ 10	10 ~ 24	≤30	30 ~ 60	60 ~ 100	100 ~ 150	>150	0.05/10		
±0.10	±0.15	±0.25	±0.20	±0.30	±0.50	±0.70	±1.00	±0.1°		



PCB Layout

2EGTRM - 5.08 -XXP - X X - XX AH

①      ②      ③      ④   ⑤      ⑥      ⑦

- ① Series NO.
- ② Pitch
- ③ Poles  
02 02Contacts  
03 03Contacts  
...  
24 24Contacts
- ④ 1 Single Pitch  
2 Double Pitch
- ⑤ Color: 1 Grey  
2 Blue  
3 Black  
4 Green(Standard For AH)  
5 Orange  
6 Red  
7 Transparent  
8 Yellow  
9 White
- ⑥ Customer Request: 00--Standard
- ⑦ AH--Standard(PA66)

DETACHED LISTS	<b>Golten</b> 宁波冠泰电子有限公司 NINGBO GOLTEN ELECTRONICS CO., LTD.			
	APPD: MA_4/11/17'	PART NO. 2EGTRM-5.08-XXP-XX-00AH		
	CHKD: Yu_4/10/17'			
	DRFT: Chen_4/9/17'			
<p>THIRD ANGLE PROJECTION</p>	DRAWING NO.		REV	1
	MM (INCH)		SHEET	1/1
	DO NOT SCALE DRAWING		SCALE	1/1