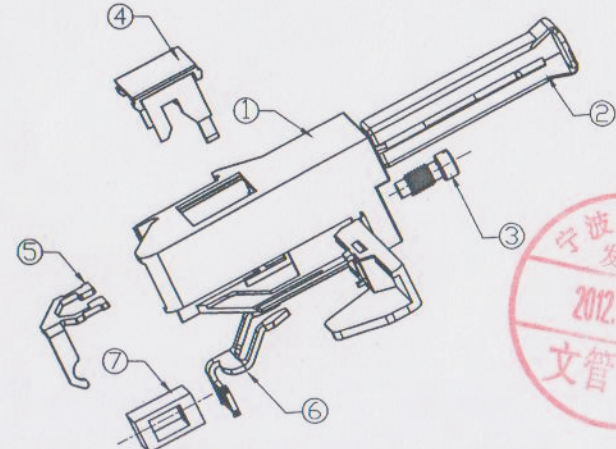
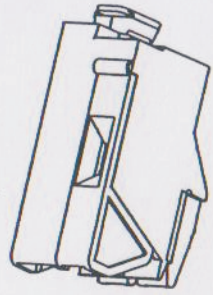
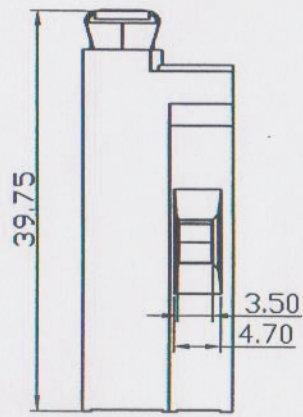
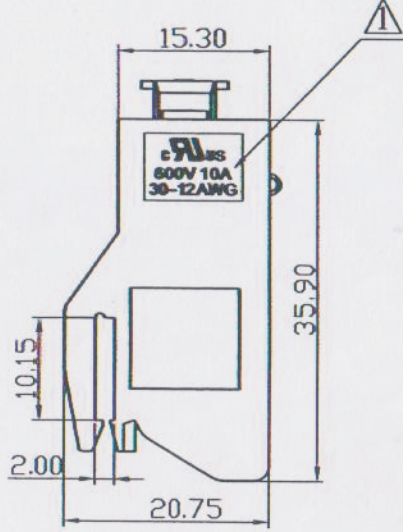
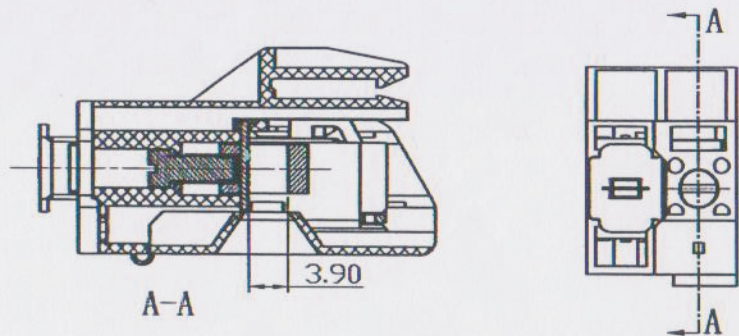


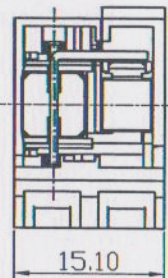
REVISION RECORD					
REV	ECN	DESCRIPTION	DRFT	DATE	
▲	12-0089	增加UL刻字及参数	COCO	05/02/12	



- Notes:
- ◆ Rated voltage/current: UL 600V/10A  
IEC 750V/10A
  - ◆ Withstanding voltage: AC3000V/1Min
  - ◆ Insulation resistance: 1000MΩ/DC500V
  - ◆ Operation temperatures: -40°C~+105°C
  - ◆ Wire Range: 30-12AWG, 0.2-4.0mm2
  - ◆ Strip length: 8-9mm
  - ◆ Max.Torque Value: M3, 0.5N.m (5.1kgf.cm)
  - ◆ Undimensioned Tolerances:

Pitch range in mm		Nominal dimension range in mm						
to	to	over 6 to 10	over 10 to 24	over 30 to 60	over 60 to 100	over 100 to 150	to	
±0.10	±0.15	±0.25	±0.2	±0.3	±0.5	±0.7	±1.0	
							0.05/0.10	

TSCBF4-01P-1Y-00A (H)  
 Series No. | No. of Pole | Single pitch | RoHS | Customer Request | Color



ITEM	NAME OF PART	NO. OF PART	Q"TY	MATERIAL	NOTES
7	PCDK4 Brass cage	X000001840 (H)	1	Brass	SnCe plated
6	TSCBF4 Current carrier	7014B00010 (H)	1	Phosphor bronze	SnCe plated
5	TSCBF4 Pin header	7014B00020 (H)	1	Phosphor bronze	SnCe plated
4	TSCBF4 Cover	7014C0Y01A (H)	1	PA66	UL94V-0

3	PC2.5B"-Screw M3x6.6	S000001100 (H)	1	Brass	Ni plated
2	TSCBF4 Fuse holder	7014D0Y01A (H)	1	PA66	UL94V-0
1	TSCBF4 Housing	7014A0Y01A (H)	1	PA66	UL94V-0

DETAILED LIST

MM CINCH  
 TOLERANCES EXCEPT AS NOTED

DATE 12/02/10  
 DATE 12/12/10  
 DATE 12/12/10

APPVL: [Signature]  
 DATE: [Signature]

ANGLES ± 1°

FINISH:

THIRD ANGLE PROJECTION

SCALE: 1:1

DEGSON® 宁波高正电子有限公司  
 DEGSON ELECTRONICS CO., LTD

NAME  
 TSCBF4-01P-1Y-00A (H)

DRAWING NO. TSCBF4-E01  
 /PART NO.

SIZE A3  
 REV 11  
 05/10/12

DO NOT SCALE DRAWING  
 SHEET 1 OF 1

8

7

6

5

4

3

2

1