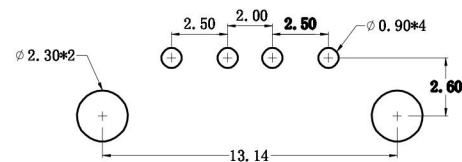
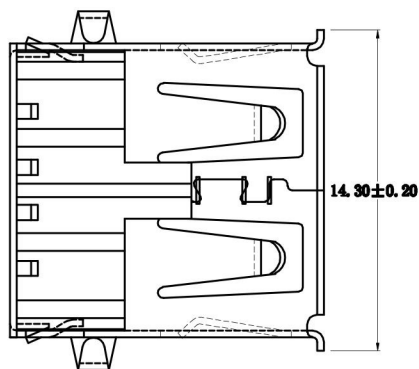
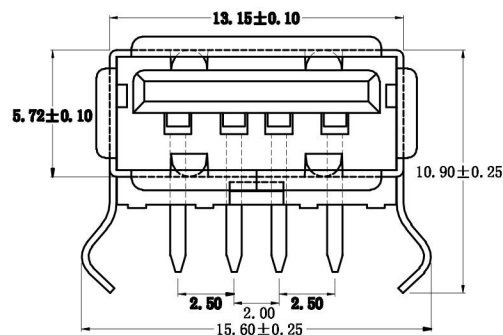
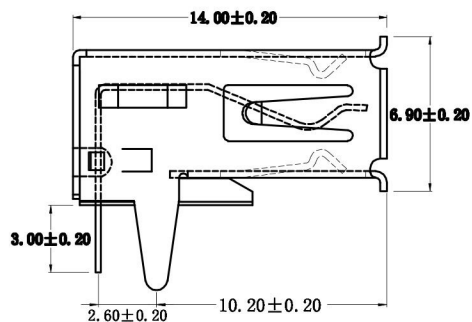
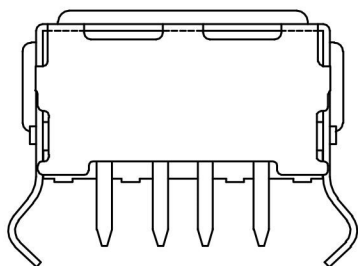


REV. (版本号)	DESCRIPTION (变更说明)	DATE (日期)	APPD (核准)



规格说明:Specifications:

电气特性:Electrical:

- 额定电流: Current Rating
1.5A/contact terminal
- 额定电压: Voltage Rating
30V DC
- 接触阻抗: Contact Resistance
30 milliohms MAX
- 耐电压: Dielectric Withstanding Voltage:
500 V AC For one minuter
- 绝缘阻抗: Insulation Resistance:
1000MEGA ohms MIN

原材料:Raw material:

- 塑胶: Plastic cement:
Hing Temperature Thermoplastics,
PBT/LCP Black/White
- 端子: Contact: Copper Alloy C2680
- 外壳: Shell: SPCC/Copper Alloy C2680

电镀: Electroplate:

- 端子: Contact: Plated Gold in Mating Area;
Tin On Solder Talls
- 外壳: Shell:
Nickel Plating



		页码 (SHEET)	1/1	单位 (UNIT): MM
		版本 (REV)	A/0	比例 (SCALE) 1:1
品名 (ITEM NO)	USB A/F 90° DIP加盖弯脚(后盖有孔)	日期 (DATE)	 未注公差 TOLERANCE UNSPECIFIED L X ±0.30 L XX ±0.20 L XXX ±0.10 I* ±5° L I* ±2°	
图号 (DWG NO)	P-UBF-004 (1D)	设计 (DESIGN)		
		审核 (CHECKED)		
		核准 (APPROVED)		