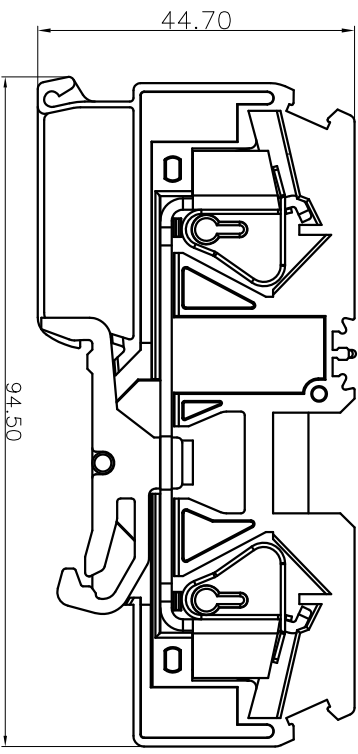
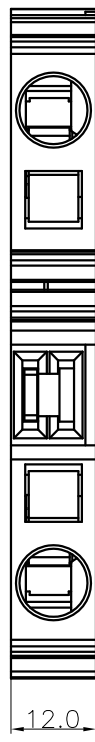
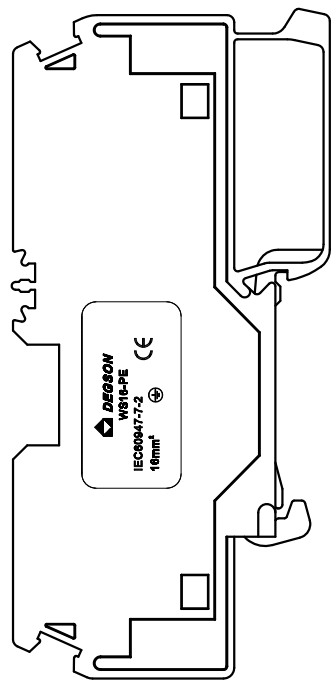


REVISION RECORD				
REV	ECN	DESCRIPTION	DRFT	DATE



NOTES:
 UL Standard
 1. Wire range : 24~6AWG

IEC Standard

1. Pollution degree	3
Overvoltage category	III
Rate impulse voltage(KV)	8.0KV
Rate voltage(V)	/ V
Rate current(A)	/ A

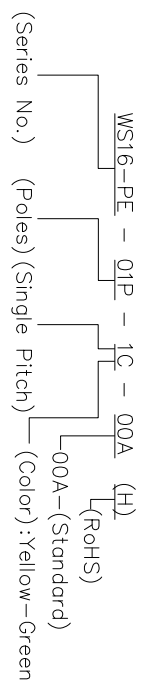
2. Wire range : 0.2~16mm²

NOTES2:

- 1.Dimension shall be interpreted per ASME Y14.5-2009
- 2.Pitch : 12.0mm, Poles : 01P
- 3.Stripping length : 17~18mm
- 4.Operating temperature: -40°C~+105°C
- 5.Undimensioned tolerances:

Pitch range in mm	Over	Nominal dimension	Over	range	Over	range	Over	range
6	10	TO	30	60	TO	100	150	0.1/10
10	24	TO	60	100	TO	150		≤
±0.15±0.20±0.30±0.50±0.70±1.00±1.30 ±2:								

6.RoHS Compliance



DETACHED LISTS	
PART NO.:	/
APPD:	/
CHKD:	/
DRFT:	/
THIRD ANGLE PROJECTION	
NAME:	DEGSON NINGBO DEGSON ELECTRICAL CO., LTD 宁波高松电子有限公司
TITLE:	CUSTOMER DRAWING
DRAWING NO.:	/
DO NOT SCALE DRAWING	
REV	DO
SHEET	1/1
SCALE	1:1

A B C D E F G H

A B C D E F G H

8 7 6 5 4 3 2 1