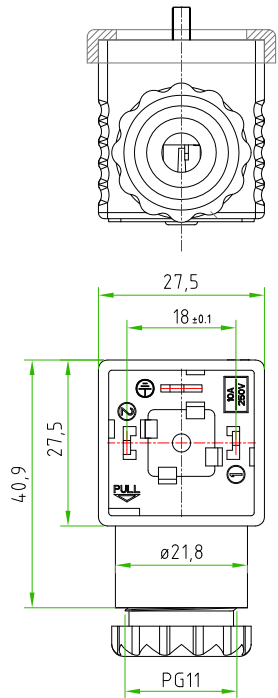
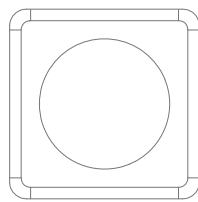


Rev.	Modify	Date	Firma	Approved

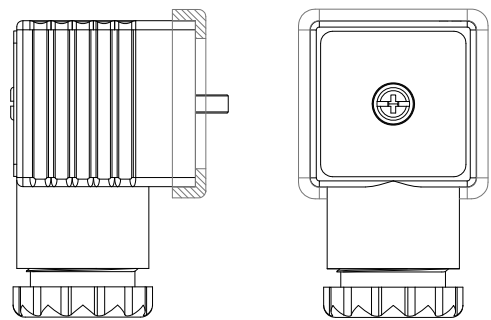
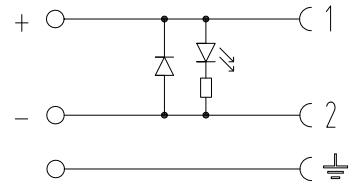
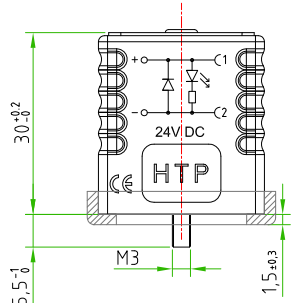
Rev.	Modify	Date	Firma	Approved

Rev.	Modify	Date	Signed	Approved
01	-	2017-02-15	SUGLIANI CIMMINO	

CUSTOMER APPROVAL	
SIGNATURE	DATE
PLEASE SIGN AND RETURN	



REV.01



CONNECTOR FEATURES	PRODUCT TYPE	EN175301-803 FORM A FIELD ATTACHABLE.
	HOUSING MATERIAL/COLOUR	PA66 /TRANSPARENT
	PRESS-CABLE MATERIAL/COLOUR	PA66 /BLACK
	INTRINAL CORE MATERIAL/COLOUR	PA66 /BLACK
	HEIGHT HOUSING	30mm
	CONTACTS SPACING	18mm
	CONTACTS TYPE	SCREW CONTACTS(with protection plate)
	NUMBER OF POLES	2POLES+EARTH
	EARTH POSITIONING	H.12 (TURNABLE)
	CABLE EXIT	PG9/11 UNIFIED
	SUITABLE CABLE	FROM ø6mm TO ø10mm
	MAX.CONDUCTOR SIZE	1,5mm ²
	PROTECTION CLASS	IP67
	CIRCUIT TYPE	RED LED+DIODE (1A)
	RATED VOLTAGE	24V DC
CONNECTOR TEMPERATURE RANGE	from -40°C to +90°C	
GASKET TYPE	PROFILED NBR	
FIXING SCREW	M3X0,5 L=32,5mm	
CONNECTOR WITH H.T.P. LOGO		

Designer	SUGLIANI R.	Date	2016-06-07	Tolerance	±0,2	Units:	mm	Series	EN175301-803 (form A)	Drawing n. 1/1
Approved	CIMMINO L.	Date	2016-06-07	Scale	1:1	Size:	A4	Customer code:		

DESCRIPTION
 SQUARE CONNECTOR EN175301-803 FORM A, FIELD ATTACHABLE, 2P. +PE, WITH RED LED+DIODE (1A), 24V DC, TRANSPARENT HOUSING, PG9/11 unified. CONNECTOR WITH H.T.P. LOGO.

H.T.P. PART NUMBER
 G1TU2DL1

