

REVISION RECORD

REV	ECN	DESCRIPTION	DRFT	DATE
-----	-----	-------------	------	------

NOTES1:

UL Standard

- 1. Rated voltage/current : 300V / 7A
- 2. Wire range : 22~18AWG

IEC Standard

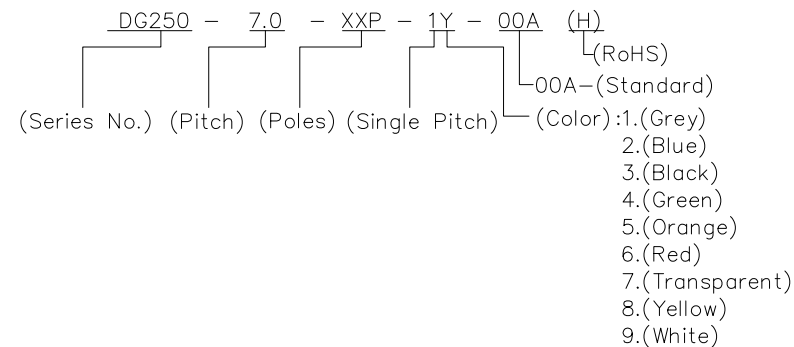
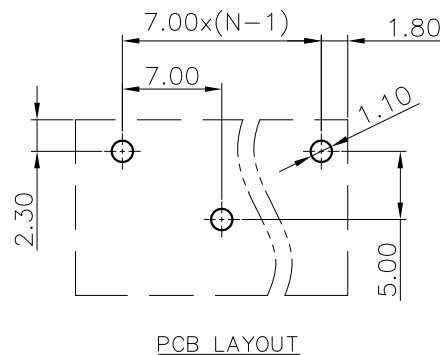
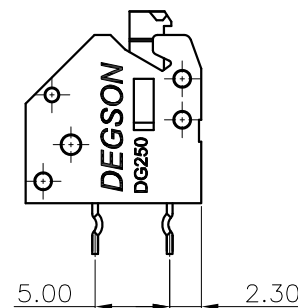
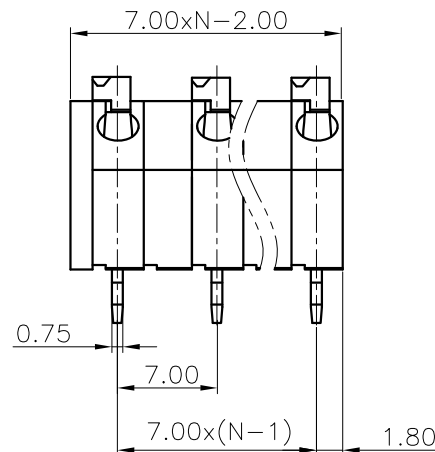
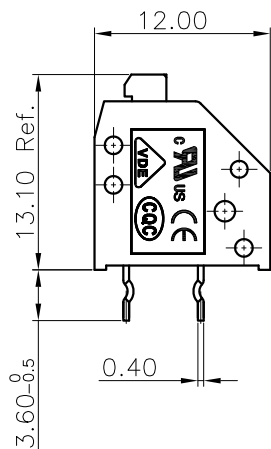
- 1. Rated voltage/current : 450V / 5A
- 2. Wire range : 0.2~0.75mm²

NOTES2:

- 1. Dimension shall be interpreted per ASME Y14.5-2009
- 2. Pitch : 7.00mm, Poles : N=01~XXP
- 3. Stripping length : 8~9mm
- 4. Withstanding voltage : AC2500V/1Min.
- 5. Operating temperature : -40°C~+105°C
- 6. Undimensioned tolerances:

Pitch range in mm		Nominal dimension range in mm					-	∩	□
TO	Over	Over	Over	Over	Over	TO	0.1/10		
6	6 TO 10	10 TO 24	30 TO 60	60 TO 100	100 TO 150	150	<		
±0.15	±0.20	±0.30	±0.30	±0.50	±0.70	±1.00	±1.30	±2*	

7. RoHS Compliance



DETACHED LISTS	PART NO.:	宁波高松电子有限公司 NINGBO DEGSON ELECTRICAL CO., LTD			
	APPD:	NAME: DG250-7.0-XXP-1Y-00A(H)			
	CHKD:	TITLE: CUSTOMER DRAWING			
	DRFT:	DRAWING NO.:		REV	DO
 THIRD ANGLE PROJECTION		DO NOT SCALE DRAWING		SHEET 1/1	SCALE 1:1