

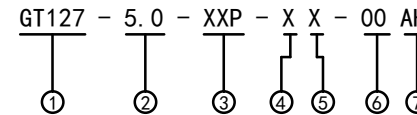
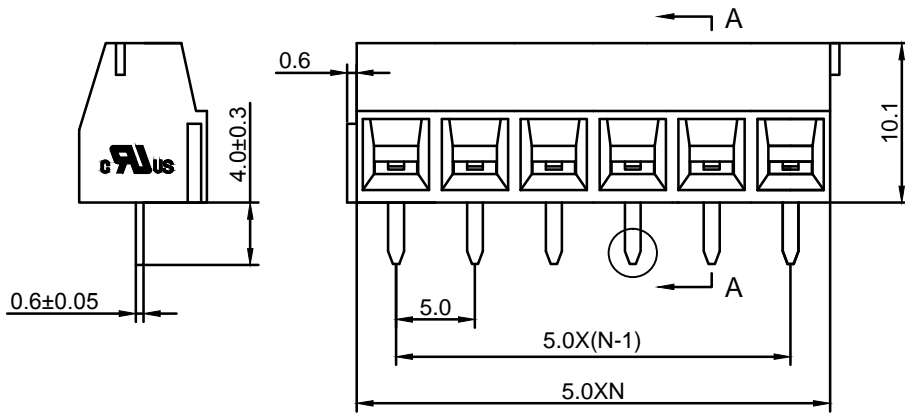
**Material :**

- (a) Housing : PA66(UL94V-0)
- (b) Screws : Steel , Cr<sup>3+</sup>Zn Plated
- (c) Cage : Brass , Ni Plated
- (d) Pin Header : Brass , Tin Plated

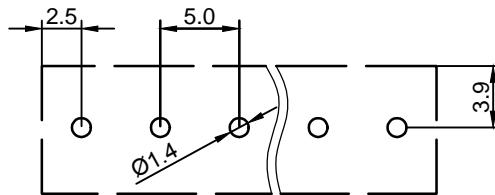
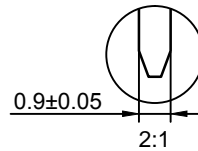
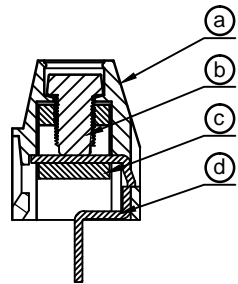
**Electrical :**

- |                              |                  |                        |
|------------------------------|------------------|------------------------|
|                              | UL               | IEC                    |
| 1.Rated Voltage :            | 300V             | 250V                   |
| 2.Rated Current :            | 12A              | 15A                    |
| 3.Torque Value :             | M2.5 , 3.54Lb.in | M2.5 , 0.4N.m          |
| 4.Wire Range:                | 26-14AWG         | 0.5-1.5mm <sup>2</sup> |
| 5.Stripping Length :         | 5mm              |                        |
| 6.Withstanding Voltage :     | AC2000V/1Min.    |                        |
| 7.Operating Temperature :    | -40°C~+105°C     |                        |
| 8.RoHS Compliance            |                  |                        |
| 9.Safety Approval            |                  |                        |
| 10.Undimensioned Tolerances: |                  |                        |

| Pitch Range In mm |        | Nominal Dimension Range In mm |       |         |          |           |       |         |
|-------------------|--------|-------------------------------|-------|---------|----------|-----------|-------|---------|
| ≤6                | 6 ~ 10 | 10 ~ 24                       | ≤30   | 30 ~ 60 | 60 ~ 100 | 100 ~ 150 | >150  | 0.05/10 |
| ±0.10             | ±0.15  | ±0.25                         | ±0.20 | ±0.30   | ±0.50    | ±0.70     | ±1.00 | ±0.1°   |



- ① Series No.
- ② Pitch
- ③ Poles  
02 02Contacts  
03 03Contacts  
...  
24 24Contacts
- ④ 1 Single Pitch  
2 Double Pitch
- ⑤ Color: 1 Grey  
2 Blue  
3 Black  
4 Green(Standard For AH)  
5 Orange  
6 Red  
7 Transparent  
8 Yellow  
9 White
- ⑥ Customer Request: 00--Standard
- ⑦ AH--Standard(PA66)



|                        |   |                      |                       |       |     |
|------------------------|---|----------------------|-----------------------|-------|-----|
| DETACHED LISTS         | <b>Grolten</b><br>NINGBO GOLTEN ELECTRONICS CO., LTD. |                      | 宁波冠泰电子有限公司            |       |     |
|                        | APPD: MA_8/13/16'                                     | PART NO.             | GT127-5.0-XXP-XX-00AH |       |     |
|                        | CHKD: Yu_8/12/16'                                     | DRAWING NO.          |                       | REV   | 1   |
|                        | DRFT: Chen_8/11/16'                                   | DO NOT SCALE DRAWING |                       | SHEET | 1/1 |
| THIRD ANGLE PROJECTION |   | MM (INCH)            | SCALE                 | 1/1   |     |