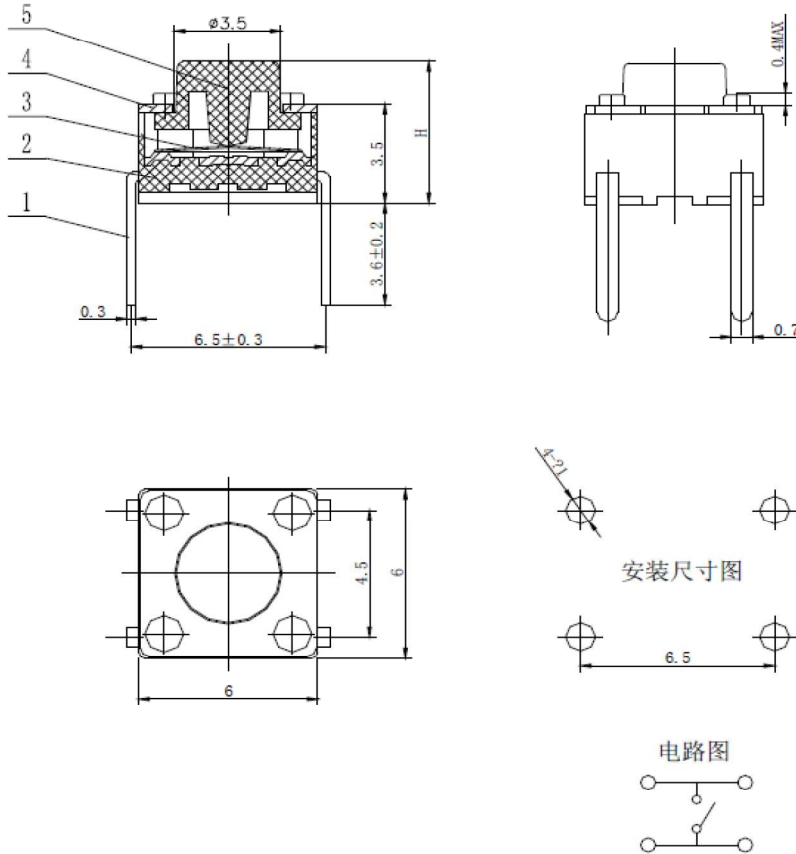


CUSTOMER	CUSTOMER'S P/N	GYE'S P/N	PRODUCT	REVISION
		KAN0612N	TACT SWITCH	A



NO.	NAME	MATERIAL	NATIONALITY	QTY.	FINISHING
1	TERMINAL	Brass	China	1	Silver plating
2	CASE	PA66	China	1	Black
3	CONTACT	Phosphor bronze	Korea	1	Ag plating
4	COVER	SPCC-SD	China	1	CuSn plating
5	STEM	PA66	China	1	$\leq 9.5$
		PC	China		$> 9.5$

APPROVE BY	孙自波 12.05.21	CHECKED BY	张华 12.05.21	PRPARE BY	金成尧 12.05.21
------------	--------------	------------	-------------	-----------	--------------