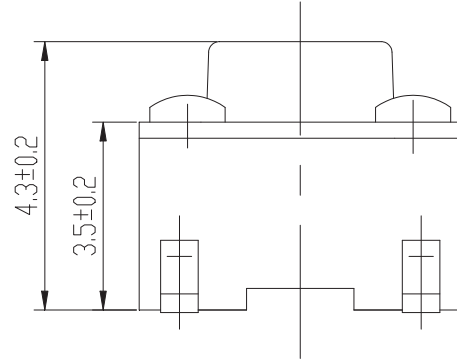
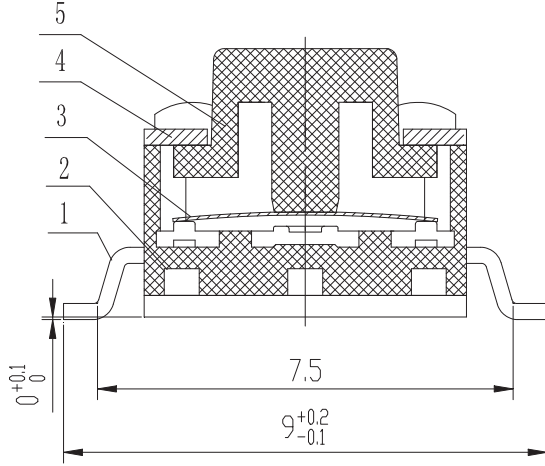
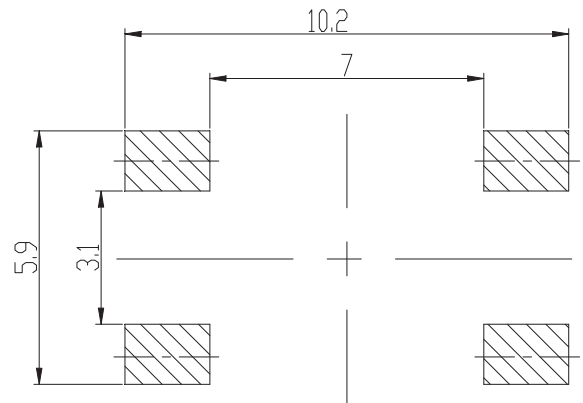
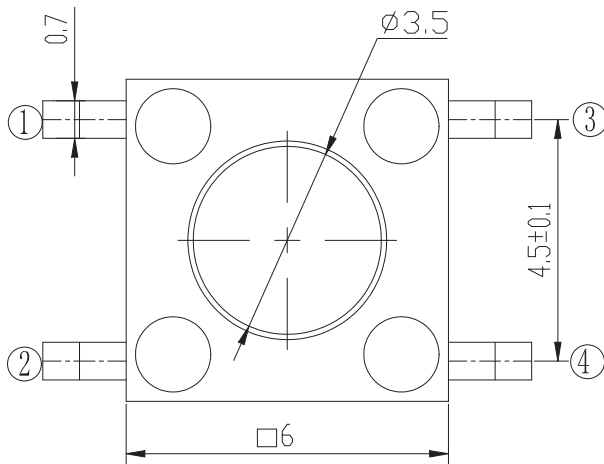


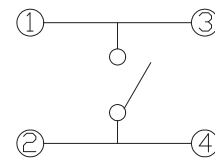
CUSTOMER	CUSTOMER'S P/N	GYE'S P/N	PRODUCT	REVISION
		KAN0649-0431B1	TACT SWITCH	A



焊接尺寸图:



电路图



General tolerance: ±0.2mm

NO.	NAME	MATERIAL	QTY.	FINISHING
1	TERMINAL	Brass	1	Silver plating
2	CASE	FR52	1	Black
3	CONTACT	Phosphor bronze	1	Contact side silver plating
4	COVER	SPCC	1	CuSn plating
5	STEM	FR52	1	Black

APPROVE BY	廖明谷 16.08.17	CHECKED BY	薛益 16.08.17	PRPARE BY	孙高高 16.08.17
------------	--------------	------------	-------------	-----------	--------------