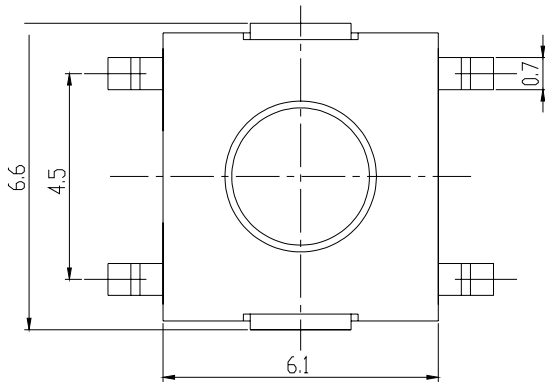
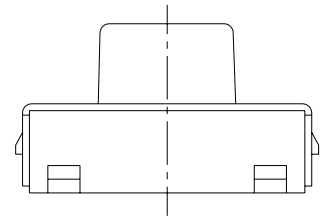
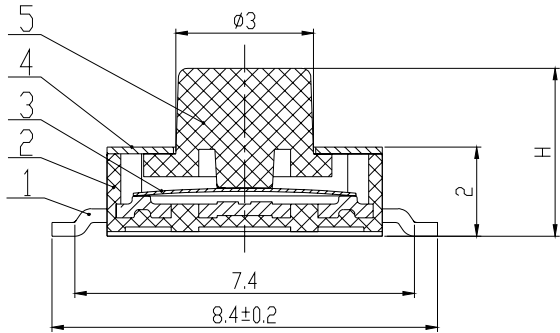
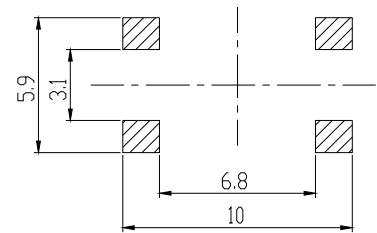


APPROVAL SPECIFICATIONS

CUSTOMER	CUSTOMER'S P/N	GYE'S P/N	PRODUCT	REVISION
		KAN0647	TACT SWITCH	A



P. C. B LAND PATTERN



General tolerance: $\pm 0.1\text{mm}$

NO.	NAME	MATERIAL	NATIONALITY	QTY.	FINISHING
1	TERMINAL	Brass	China	1	Silver plating
2	CASE	FR52	USA	1	Black
3	CONTACT	Phosphor bronze	Korea	1	Contact side silver plating
4	COVER	SUS 301			
5	STEM	FR52	USA	1	Black

APPROVE BY	黄蜀东 06.10.13	CHECKED BY	关林 06.10.13	PRPARE BY	曹盖 06.10.13
------------	--------------	------------	-------------	-----------	-------------