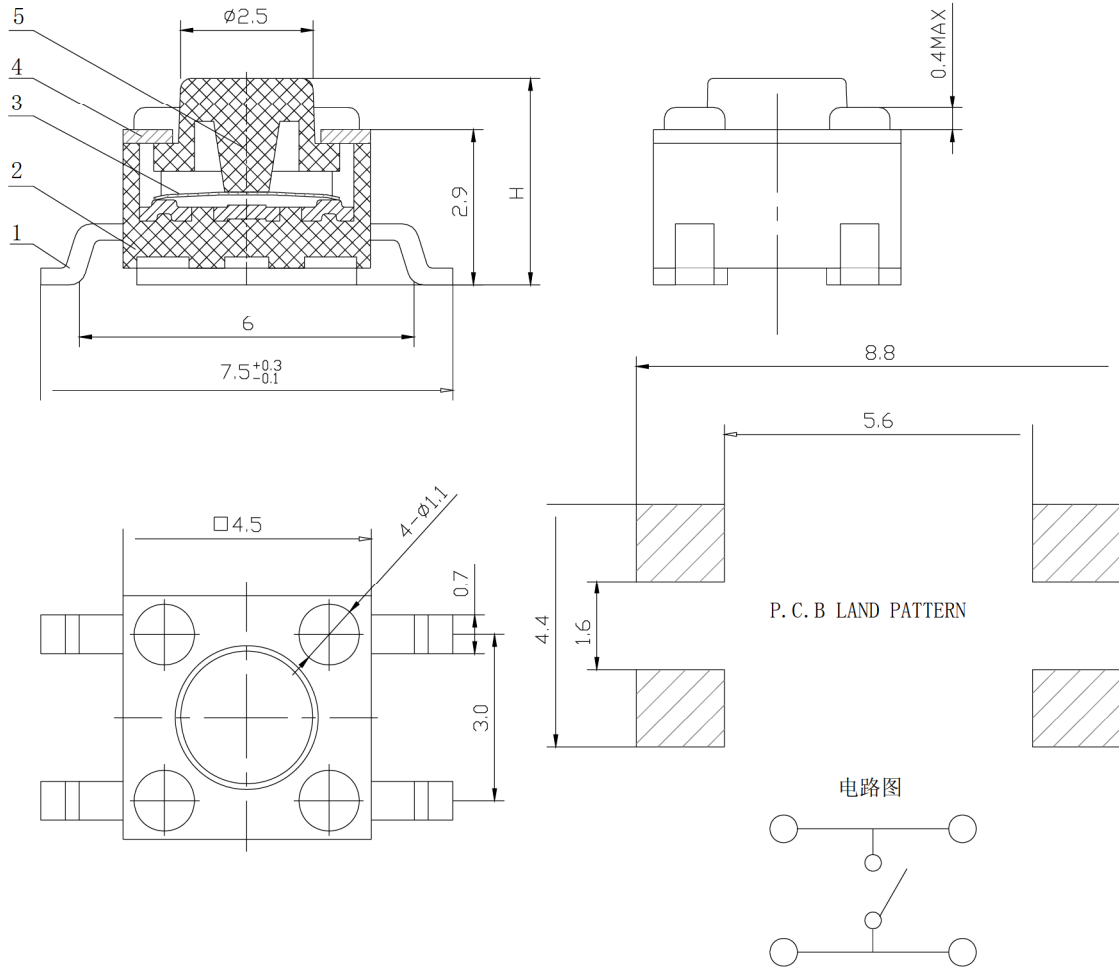


APPROVAL SPECIFICATIONS

CUSTOMER	CUSTOMER'S P/N	GYE'S P/N	PRODUCT	REVISION
		KAN4541	TACT SWITCH	A



General tolerance: $\pm 0.1\text{mm}$

NO.	NAME	MATERIAL	NATIONALITY	QTY.	FINISHING
1	TERMINAL	Brass	China	1	Silver plating
2	CASE	FR52	USA	1	Black
3	CONTACT	SUS	Korea	1	Contact side silver plating
4	COVER	SPCC-SD	China	1	CuSn plating
5	STEM	FR52	USA	1	Black

APPROVE BY	廖明谷 13.10.14	CHECKED BY	董杰 13.10.14	PRPARE BY	王蕾蕾 13.10.14
------------	--------------	------------	-------------	-----------	--------------

APPROVAL SPECIFICATIONS

CUSTOMER	CUSTOMER'S P/N	GYE'S P/N	PRODUCT	REVISION
		KAN4541	TACT SWITCH	A

8. 生产工场: The country of origin

WENZHOU GANGYUAN ELECTRONICS CO.,LTD

NO.392 NING KANG EAST ROAD OF YUE QING CITY, ZHE JIANG

9. 包装: Packing

产品规格 KAN4541	包装袋 PACKING BAG		内包装箱 INTER BOX		外包装箱 OUT BOX		净重 (Kg)	毛重 (Kg)
	规格(Cm)	数量(pcs)	规格(Cm)	袋数	规格(Cm)	盒数		
038	19×19.5	1000	21.6×16.5×4.8	4	44.5×35×28	20	10.4	12.930
050	19×19.5	1000	21.6×16.5×4.8	4	44.5×35×28	20	11.2	13.730
060	19×19.5	1000	21.6×16.5×4.8	4	44.5×35×28	20	12.0	14.530
070	19×19.5	1000	21.6×16.5×4.8	4	44.5×35×28	20	12.4	14.930

APPROVE BY

廖明谷 13.10.14

CHECKED BY

董杰 13.10.14

PRPARE BY

王蕾蕾 13.10.14