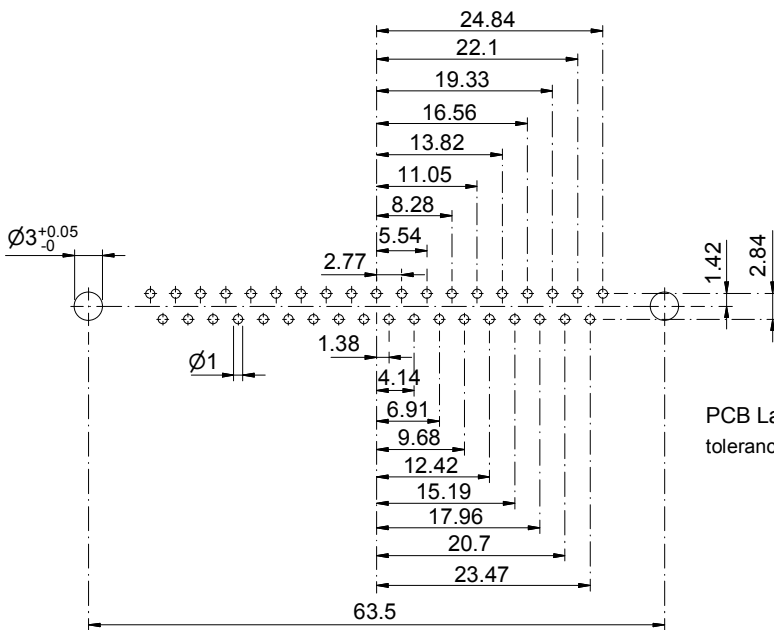
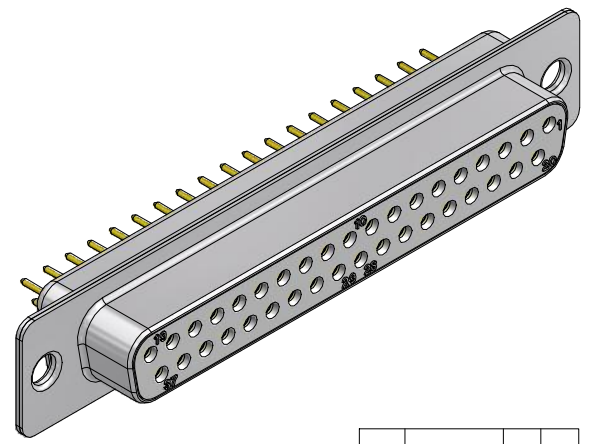
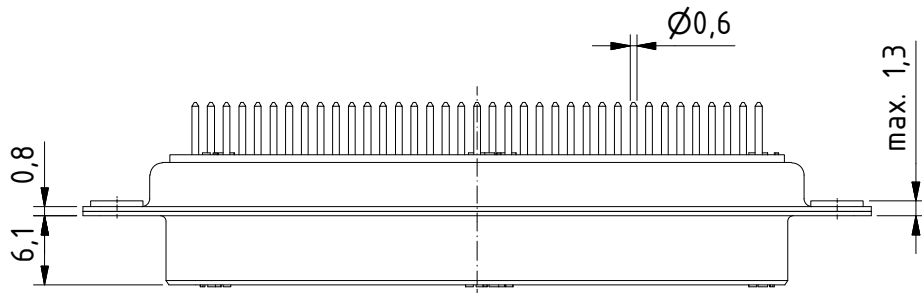
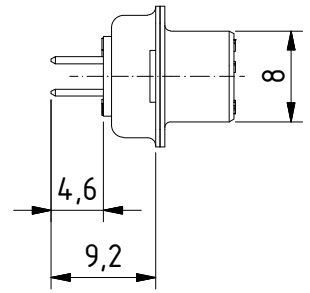


RoHS compliant



PCB Layout
tolerances +/-0.1

MATERIALS

- Insulator: Thermoplastic UL 94-V-0 white
- Contact: Copper alloy
- Contact finish: Quality class 2
- Shell: steel tin plated

CHARAKTERISTICS

- Working voltage: 125V
- Current rating: 5A
- Contact resistance: max. 10mΩ - DIN41652
- Insulation resistance: >5GΩ
- Temperature range: -55° to +125°C

General tolerances (Dieltron standard)		size in mm		
		> 0,5 up to 3	> 3 up to 6	> 6 up to 30 up to 120
tolerances		±0,1	±0,2	±0,2
				±0,3

modification	Rev.	Rev.	Rev.	DE004910 part no.		
	Rev.	Rev.	Rev.			
DTS37SY/2	1.5:1 scale	drawn	10.03.1998	mr		
		checked				
		approved				
 Industrie Neuhofer 8c CH-3422 Kirchberg				K050036 drawing no.		