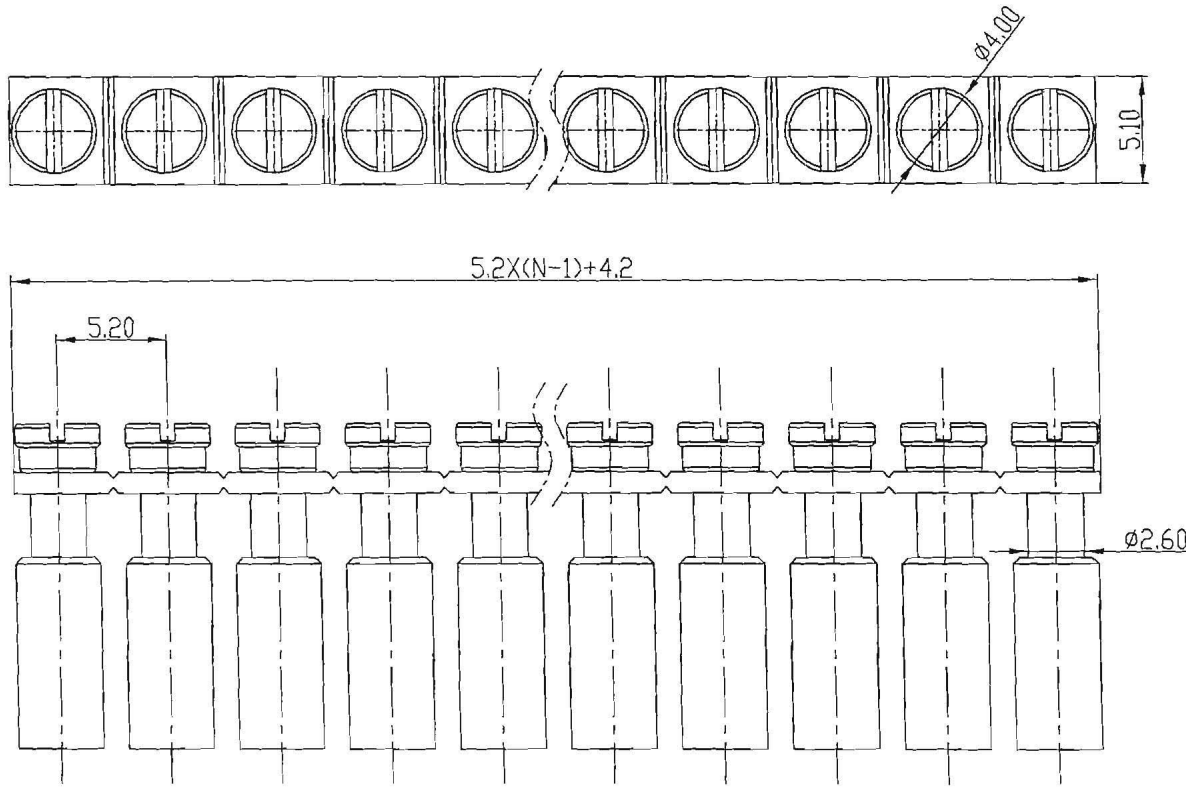
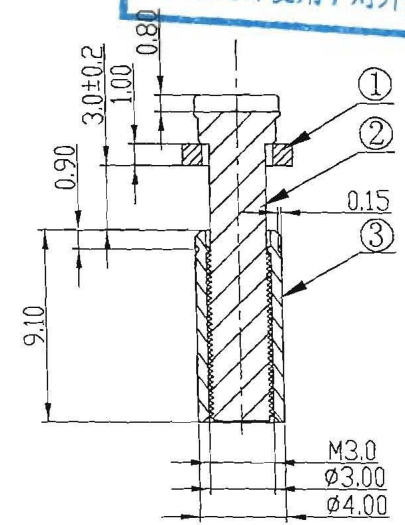


REVISION RECORD				
REV	ECN	DESCRIPTION	DRFT	DATE



文管中心  
 研发专用  
 2014.07.21  
 (仅限内部使用, 对外无效)



Notes:

1. Material: Copper;
2. Plating: Cu plated at the bottom is over 1um; Ni plated on the surface is over 2um;
3. The max burr amount allowed is less than 0.03mm;
4. Screws: M3;
5. Undimensioned Tolerances:

Pitch range in mm		Nominal dimension range in mm					
to	over	to	over	over	over	over	
6	10	24	30	60	100	150	□
±0.10	±0.15	±0.25	±0.2	±0.3	±0.5	±0.7	±1.0 (0.05/0)

3	FBRI XX-5 Pillar	X000003950 (H)	XX	Brass	Ni
2	FBRI XX-5 Screws	S000004600 (H)	XX	Brass	Ni
1	FBRI XX-5 Current carrier	6004BXX060 (H)	1	Copper	Snce
ITEM	NAME OF PART	NO. OF PART	Q'TY	MATERIAL	NOTES
MM (INCH)    DFTD YHG    DATE 06/08/09 CHK'D <i>ewy</i> DATE 9.16.09 MFD    DATE APPVL <i>Hong</i> DATE 07.16.09 MATERIAL:		宁波高正电子有限公司 DEGSON®    DEGSON ELECTRONICS CO., LTD NAME: <b>FBRI XX-5</b>			
TOLERANCES EXCEPT AS NOTED: MM    * .0 ± 0.1    * .00 ± 0.05    * .000 ± 0.01    *		ANGLES ± °    G.E.: FINISH:		DRAWING NO. FBRI 10-5-E01    SIZE: 43    REV: TC /PART NO.    09/16/09	
THIRD ANGLE PROJECTION		SCALE:		DO NOT SCALE DRAWING    SHEET OF	