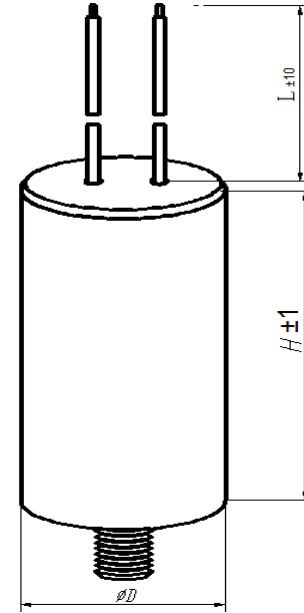


|                                |  |  |  |              |                              |   |
|--------------------------------|--|--|--|--------------|------------------------------|---|
| Customer ' s name<br>客户名称 :    |  |  |  |              | Customer recognizes<br>客户承认: |   |
| NO.<br>序号                      | Specified voltage and frequency<br>额定电压及频率 | Specified capacity and capacity deviation<br>额定电容及电容偏差 | Over all dimension<br>外形尺寸 (mm)<br>( $\phi D \times H$ ) $\pm 0.5$ | Remark<br>备注 |                              |   |
| 6                              | 450VAC 50/60Hz                             | 16 $\mu$ F $\pm 10\%$                                  | 40 $\times$ 70M8   |              |                              |   |
| 7                              | 450VAC 50/60Hz                             | 20 $\mu$ F $\pm 10\%$                                  | 40 $\times$ 70M8   |              |                              |   |
| 8                              | 450VAC 50/60Hz                             | 25 $\mu$ F $\pm 10\%$                                  | 40 $\times$ 95M8   |              |                              |   |
| 9                              | 450VAC 50/60Hz                             | 30 $\mu$ F $\pm 10\%$                                  | 40 $\times$ 95M8   |              |                              |   |
| 10                             | 450VAC 50/60Hz                             | 40 $\mu$ F $\pm 10\%$                                  | 45 $\times$ 95M8   |              |                              |   |
| 11                             |  |  |  |              |                              |   |
|                                |  |  |  |              |                              |   |
|                                |  |  |  |              |                              |   |
| Carry out standard<br>推行标准     | GB 3667.1-2016/IEC60252-1: 2013            |  |  |              |                              |   |
| Operating temp range<br>使用温度范围 | -25 $\sim$ +70 $^{\circ}$ C                | Lifespan garden<br>寿命等级                                | C CLASS  |              |                              |   |
| Withstanding standard<br>耐电压   | Between terminals<br>端子相互间                 | 2.0UN 2S无击穿及飞弧现象                                       |  |              |                              |   |
|                                | Terminals to case<br>端子与外壳间 (金属外壳)         | -----  |  |              |                              |   |
| Capacitance tolerance<br>电容偏差  | $\pm 10\%$                                 |  |  |              |                              |   |
| Loss angle tangent<br>损耗角正切    | $\leq 0.0020$ (100 Hz)                     |  |  |              |                              |   |
| 整<br>体                         | Shape<br>外形                                | See right picture<br>见右图                               |  |              |                              |   |
|                                | Condenser fuse<br>电容器芯子                    | Have self-healing<br>具有自愈性                             |  |              |                              |   |
| 结                              | Case<br>外壳                                 | White of plastics outer shell<br>白色塑料外壳                |  |              | drafts system:<br>拟制: 林海燕    | Name: CBB60 metallized polypropylene film capacitor.<br>名称: CBB60型金属化聚丙烯薄膜电容器 |
|                                |  |  |  |              |                              |   |



|   |                 |                                   |                 |  |
|---|-----------------|-----------------------------------|-----------------|--|
| 构 | Terminals<br>引出 | 2.5-2.8mm <sup>2</sup> black wire | Approval<br>核准: | Wenling jiyang capacitor co.,LTD<br>温岭市嘉洋电容器有限公司 |
|   | Filling<br>填充料  | Epoxy resin<br>环氧树脂               |                 |  |